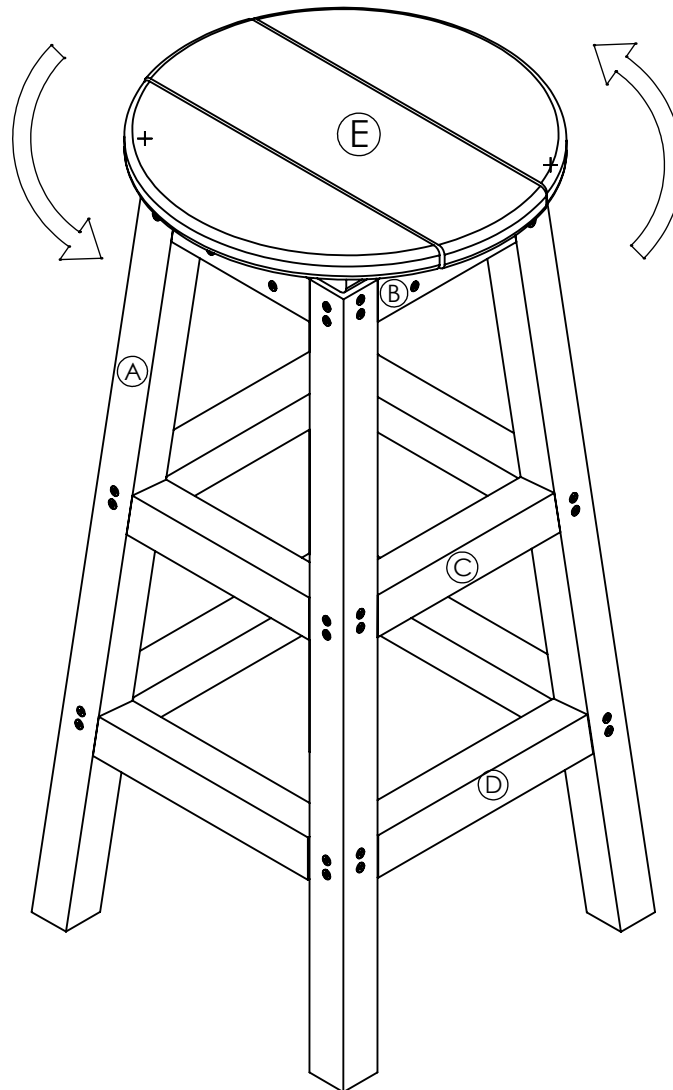


The logo for C.R. PLASTIC PRODUCTS features the company name in a bold, black, sans-serif font. To the left and right of the text are decorative elements consisting of five horizontal bars in the following color sequence from top to bottom: light blue, dark blue, black, red, and yellow.

C.R. PLASTIC PRODUCTS

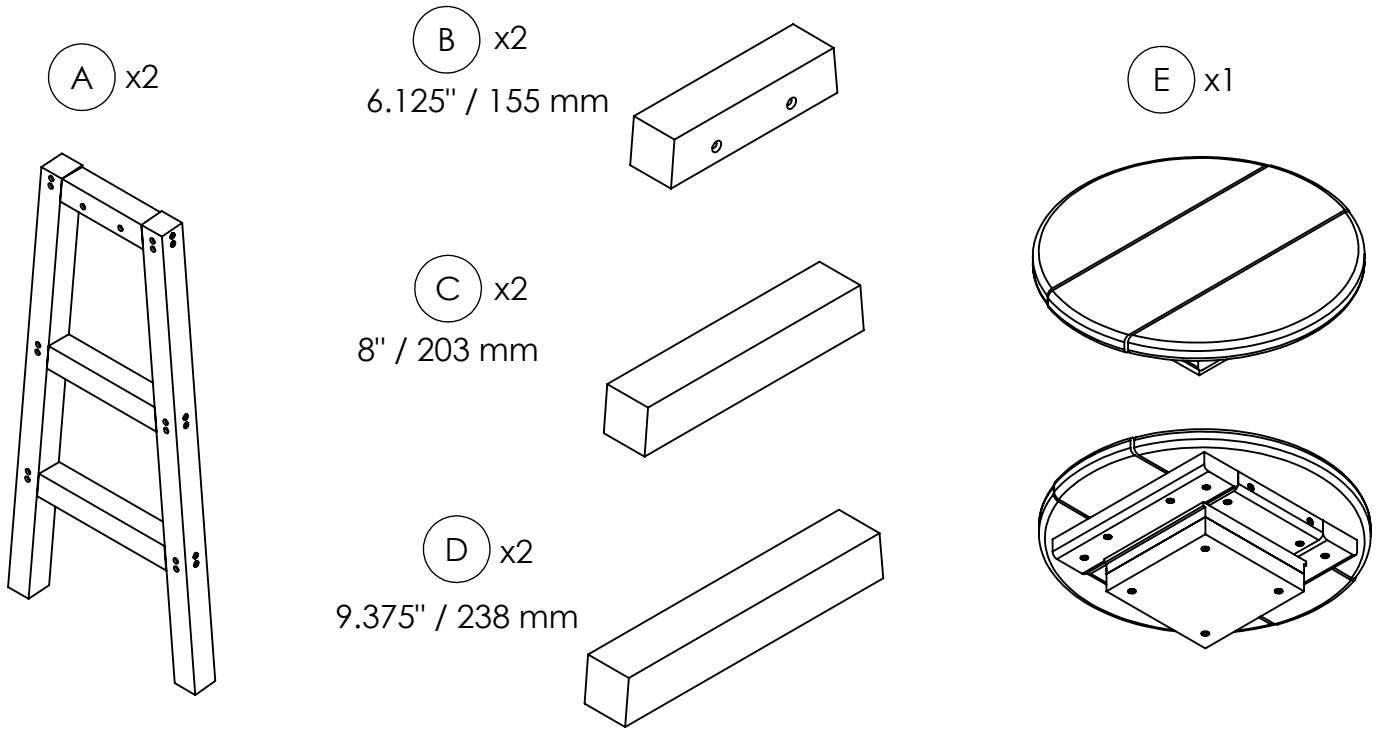
we create sustainable outdoor living

C23 - Swivel Bar Stool



C.R. PLASTIC PRODUCTS

we create sustainable outdoor living



#2



F x32

2.50" / 63.5 mm



1-866-439-9521



wecare@crplastics.com



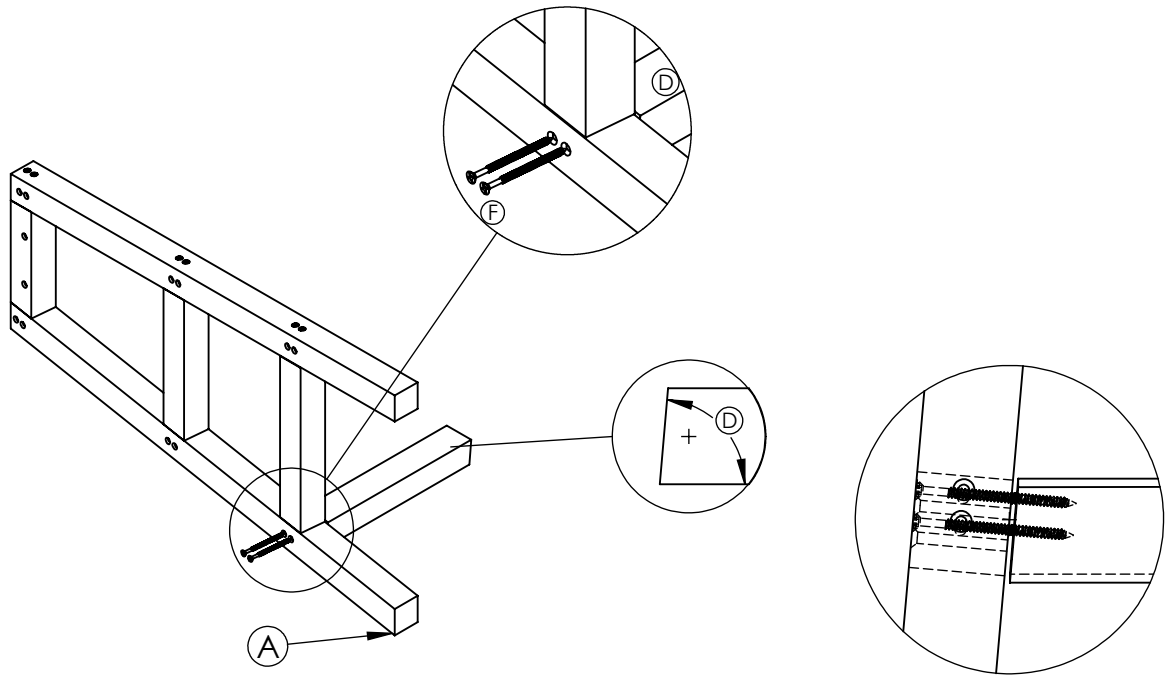
www.crpproducts.com

1

(A) x1

(D) x1

(F) x2

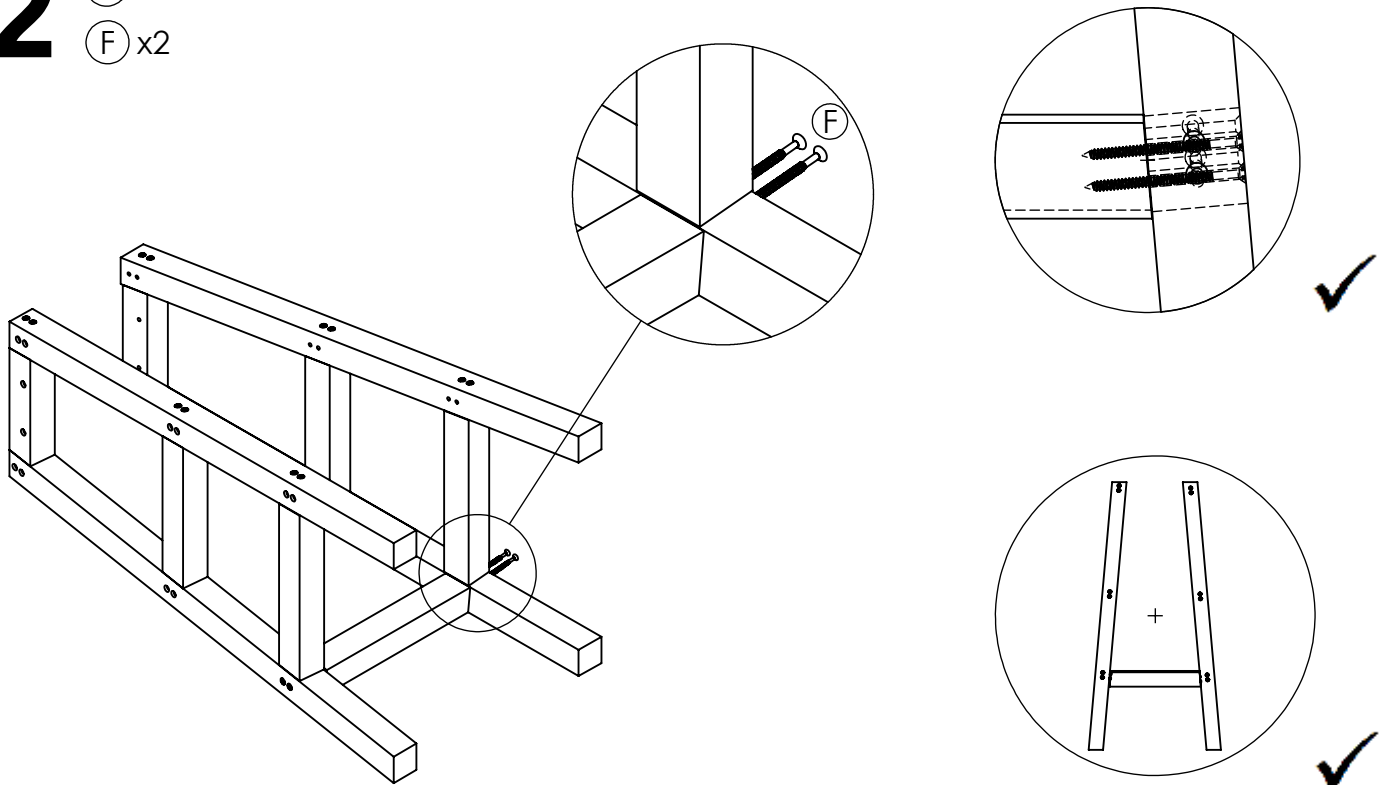


NOTE: MAKE SURE TO ALIGN ALL THE NEW STRINGERS WITH THE STRINGER ON THE LEG-ASSEMBLY

2

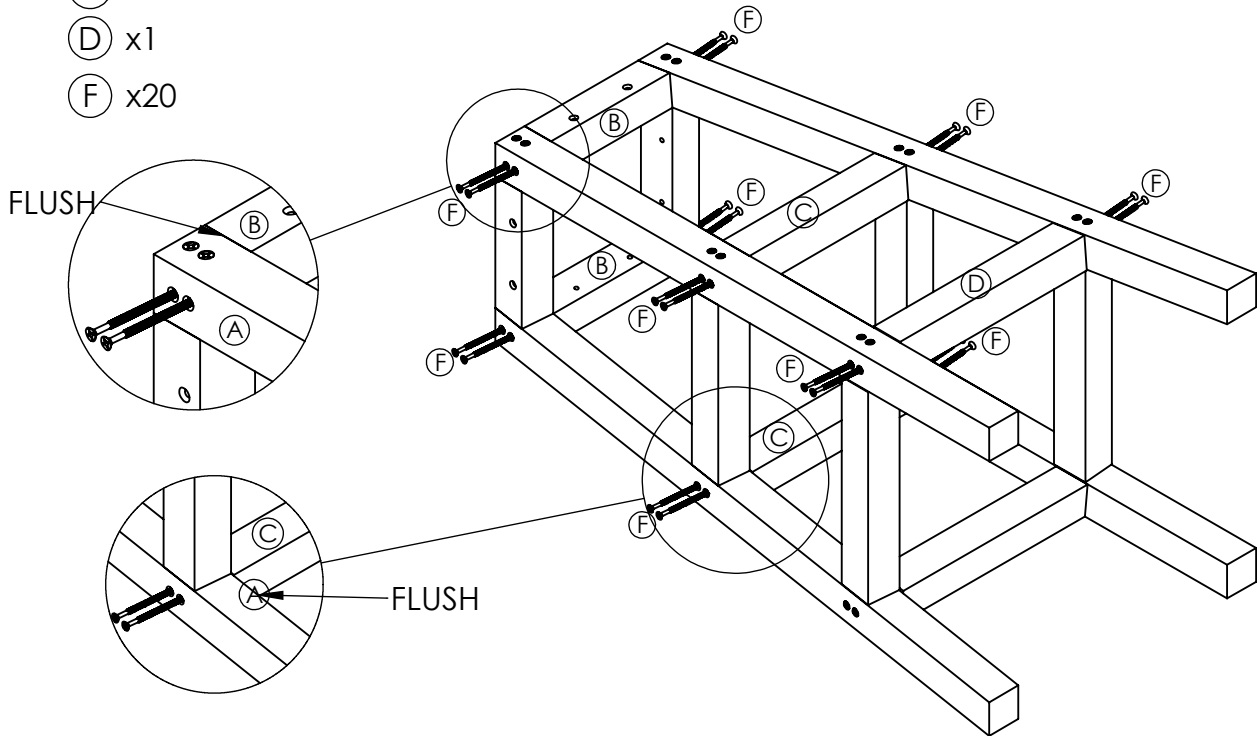
(A) x1

(F) x2



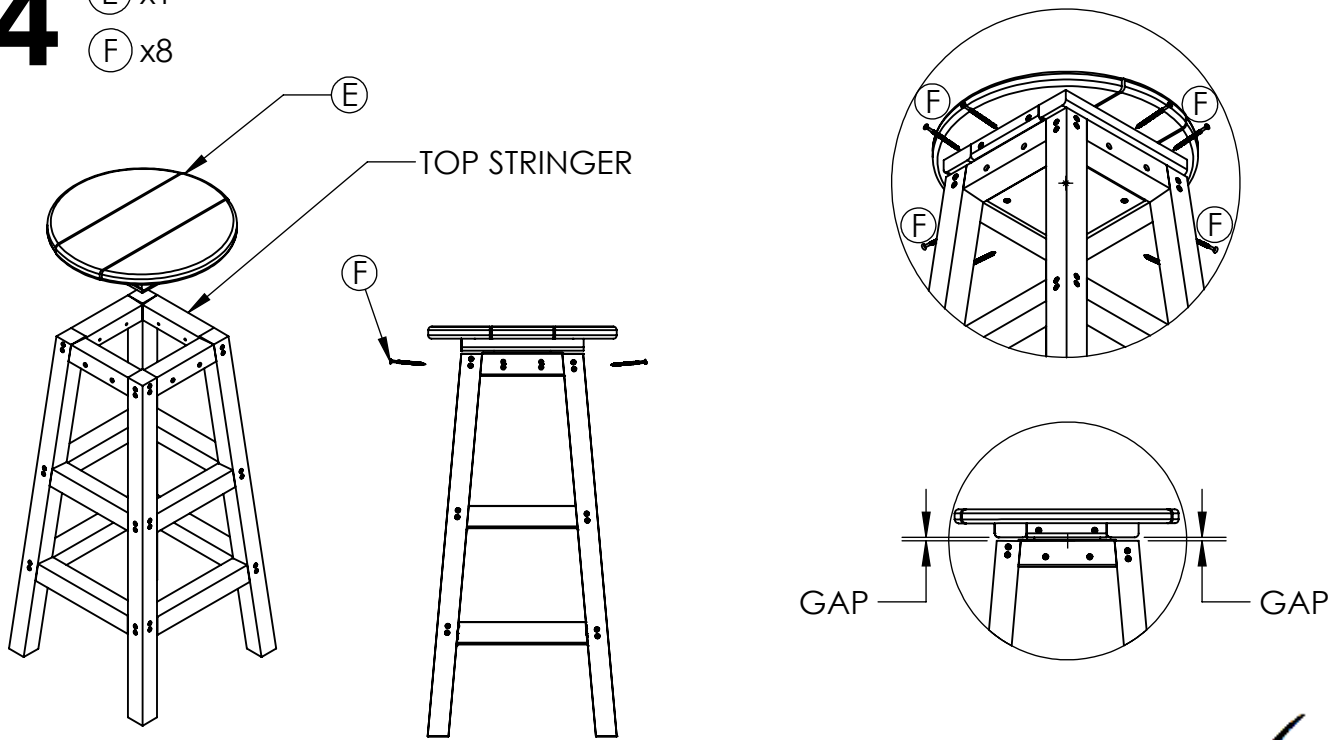
3

- (B) x2
- (C) x2
- (D) x1
- (F) x20



4

- (E) x1
- (F) x8



NOTE: THE TOP STRINGER SHOULD BE FLUSH AGAINST THE LIP ON THE SWIVEL MECHANISM AND EVEN ON ALL SIDES.