



**Crystal Harbor**  
COLLECTION<sup>®</sup>  
BY C.R. PLASTIC PRODUCTS

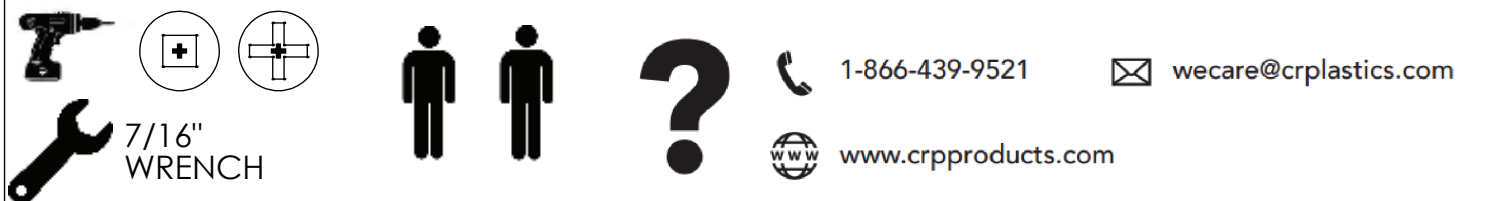
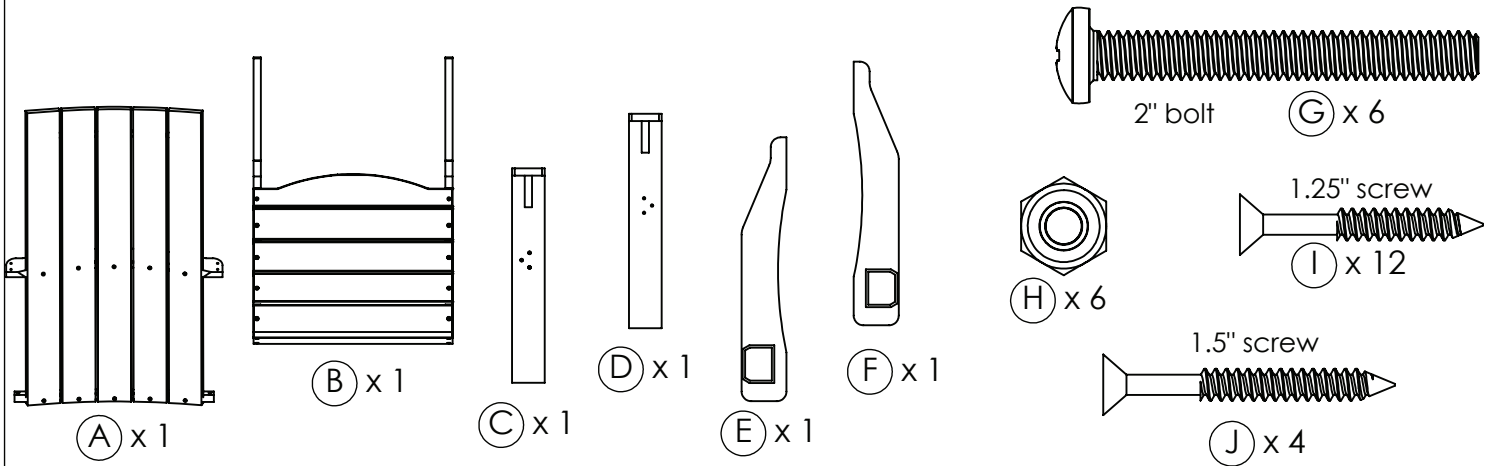
**CCH06**

Crystal Harbor Collection  
Modern Adirondack Chair

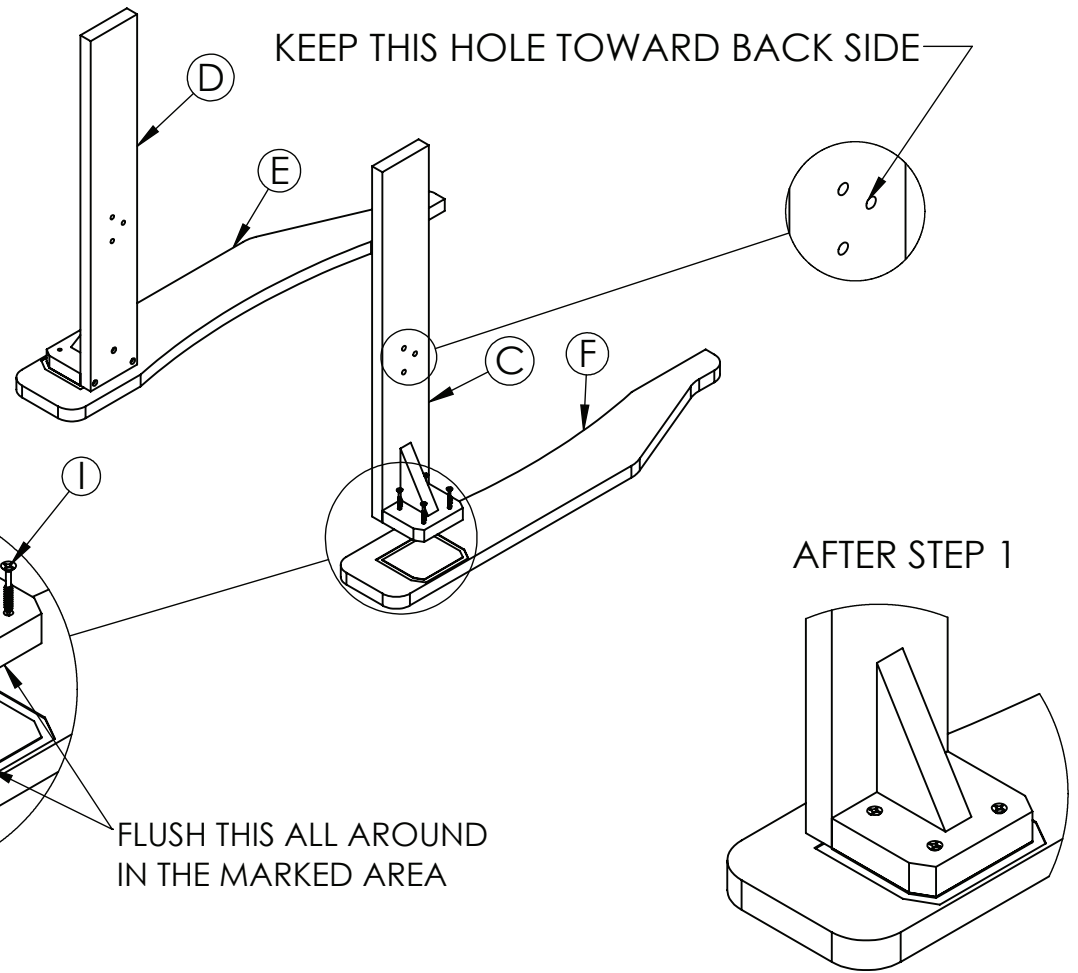
SCAN FOR BILT 3D INSTRUCTIONS



POWERED BY BILT INTELLIGENT INSTRUCTIONS<sup>™</sup>



- 1**
- (C) x 1
  - (D) x 1
  - (E) x 1
  - (F) x 1
  - (I) x 8



NOTE: REPEAT STEP 1 FOR BOTH SET OF ARMS.

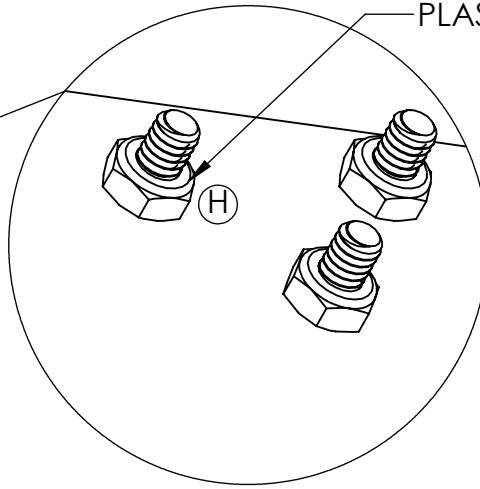
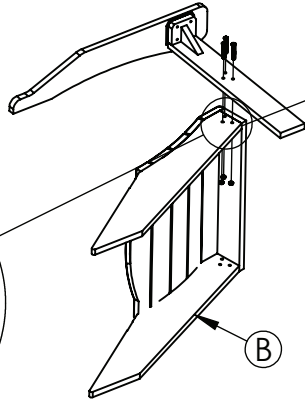
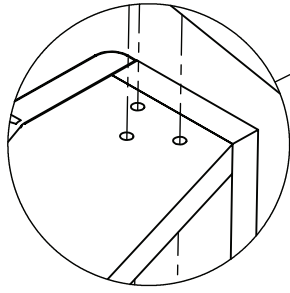
# 2

(B) X 1

(G) X 6

(H) X 6

PLASTIC SIDE FACE OUT



USE 7/16" WRENCH

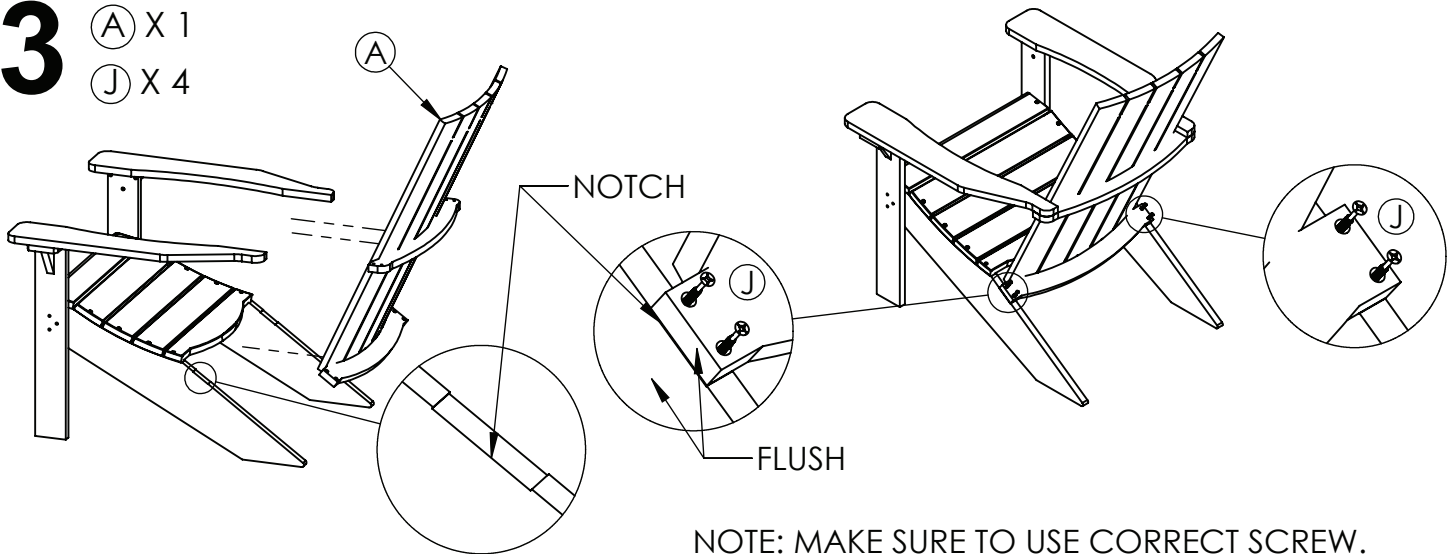


NOTE: REPEAT STEP 2 FOR OTHER SIDE OF ASSEMBLY.

# 3

(A) X 1

(J) X 4



NOTE: MAKE SURE TO USE CORRECT SCREW.

# 4

(I) X 4

