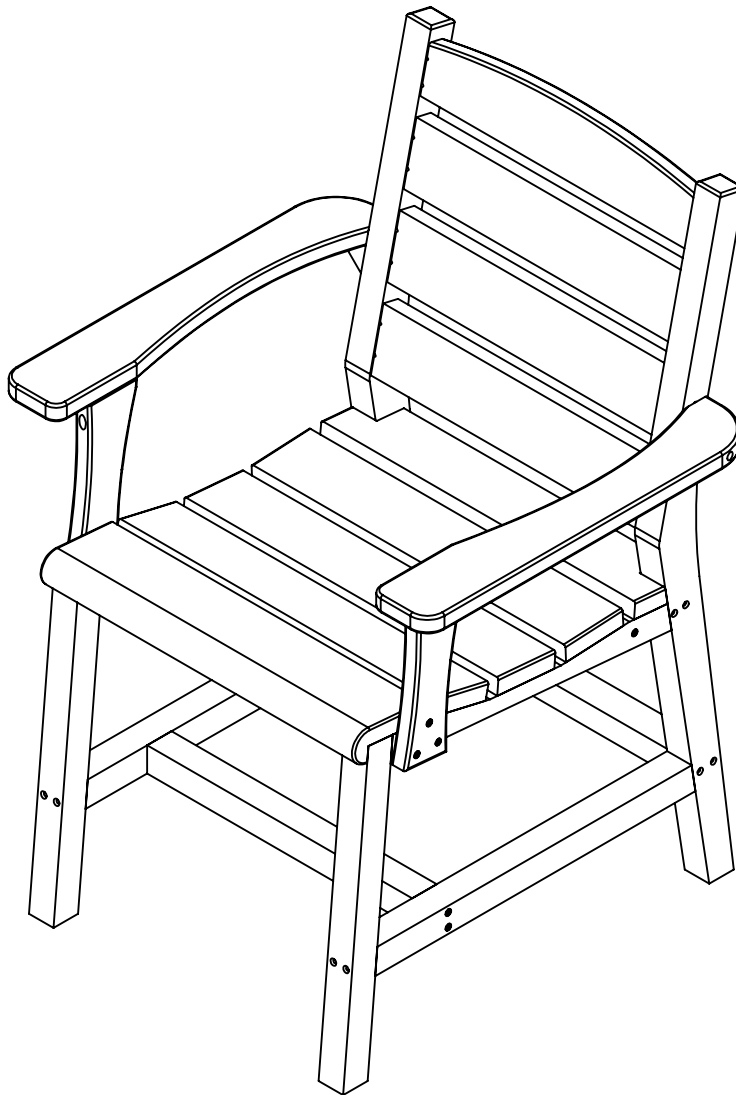


 **C.R. PLASTIC  
PRODUCTS** 

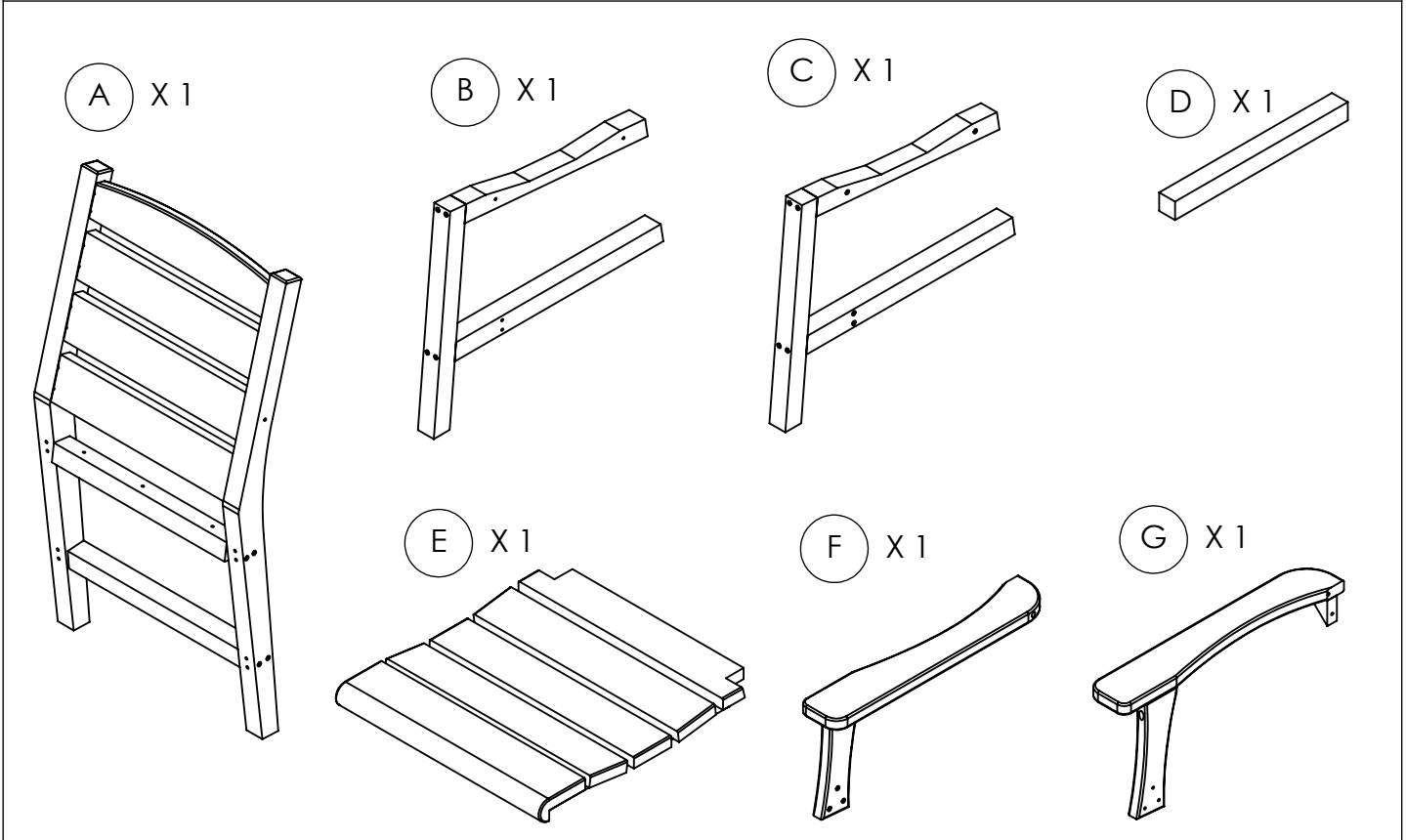
*we create* sustainable outdoor living

C323



# C.R. PLASTIC PRODUCTS

*we create* sustainable outdoor living



#2

**H** X 18 2.50" / 63.5 mm

**J** X 9 2.0" / 51 mm

**K** X 2 1.50" / 38 mm



SCREW SIZE SCALE 1:1



1-866-439-9521



wecare@crplastics.com



www.crpproducts.com

# 1

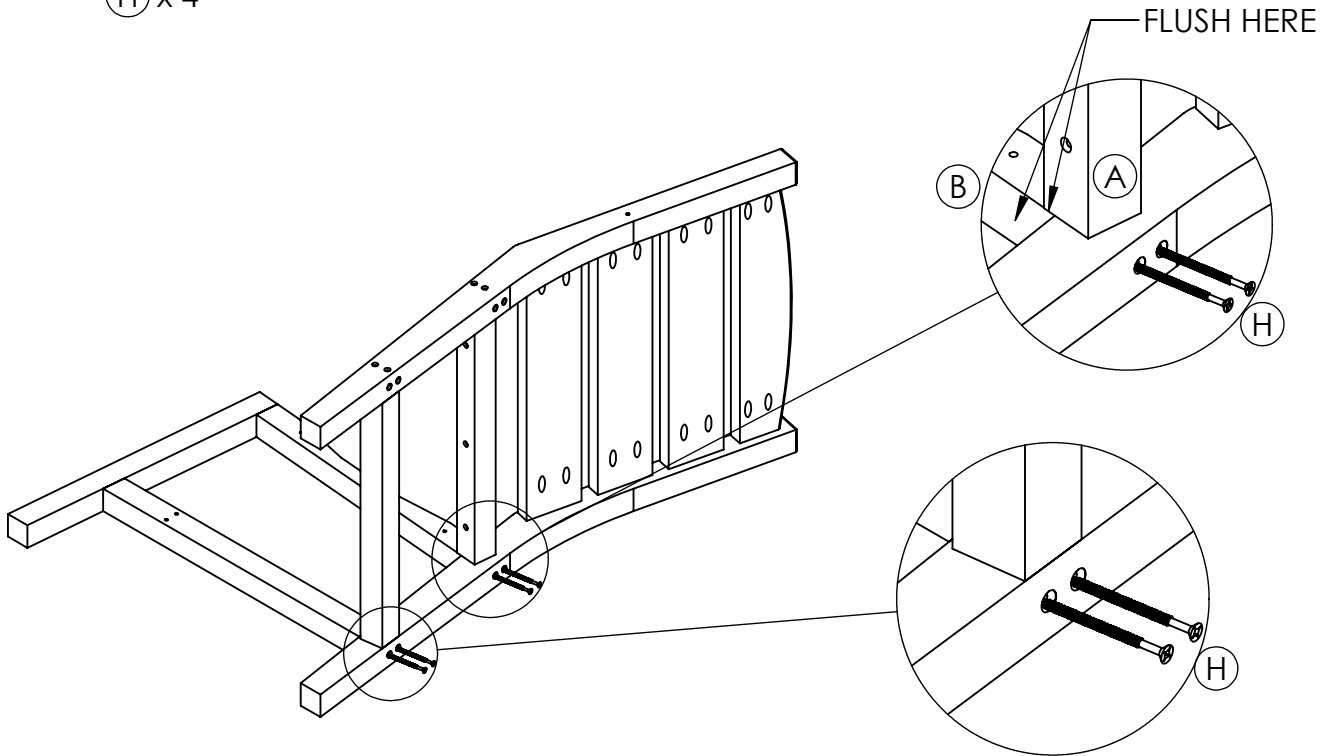
(A) x 1

(B) x 1

(H) x 4



NOTE: MAKE SURE TO FLUSH FRAME TO BACK CENTER STRINGER AS SHOWN.



# 2

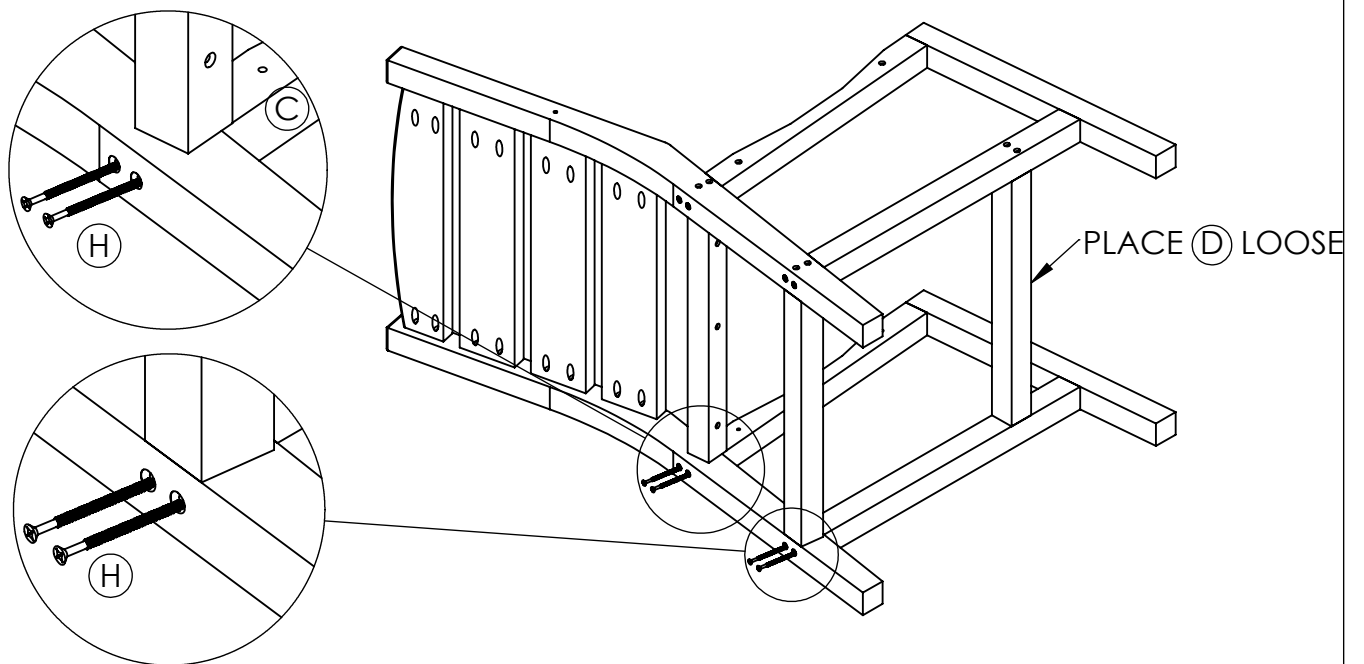
(C) x 1

(D) x 1

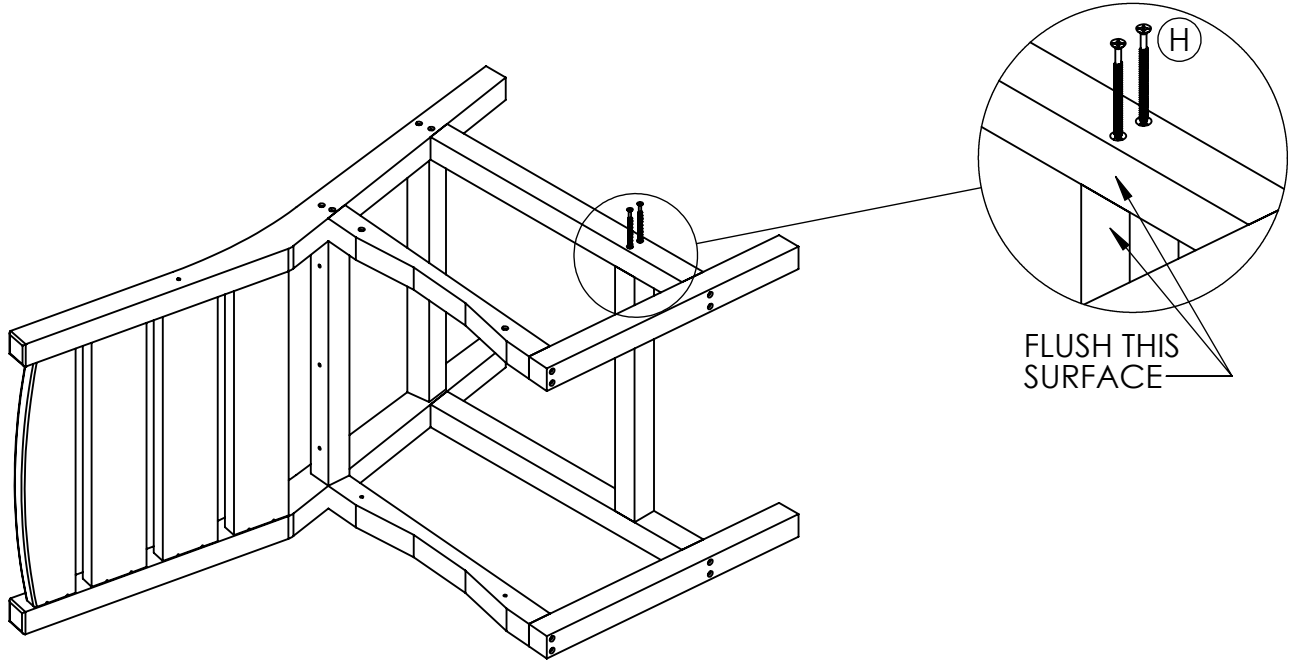
(H) x 4



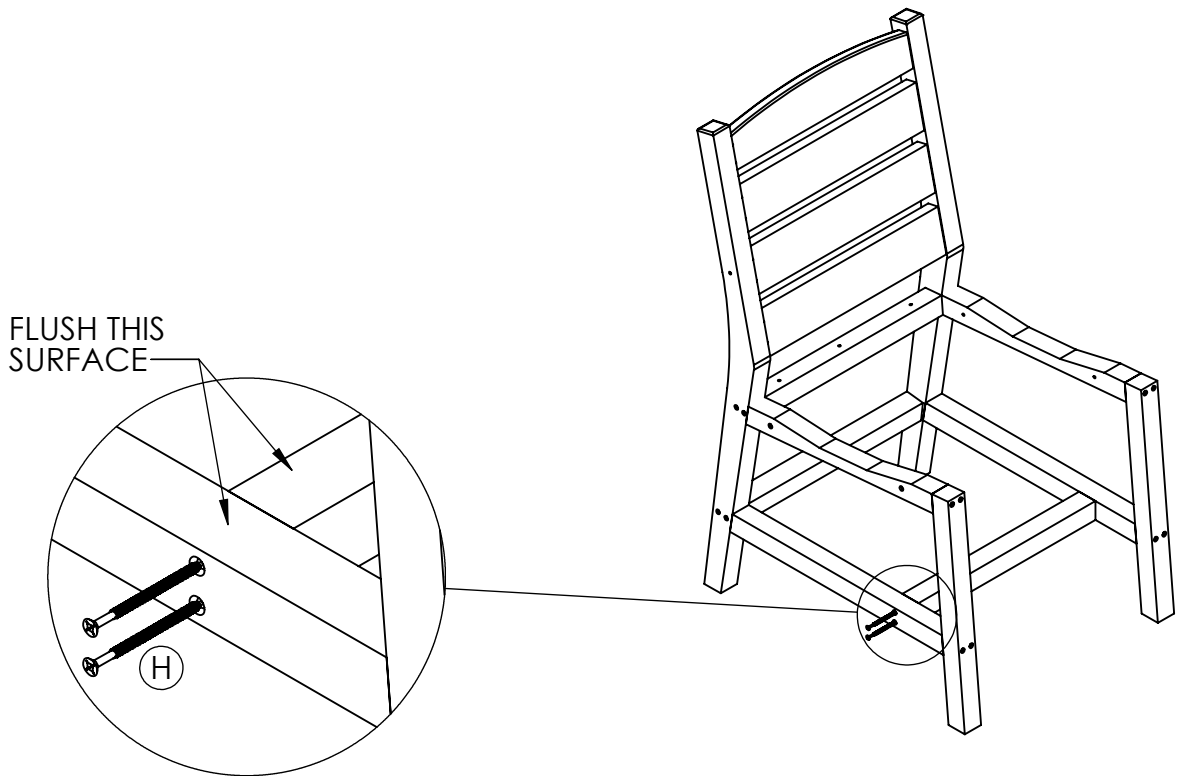
NOTE: MAKE SURE TO FLUSH FRAME TO BACK CENTER STRINGER AS SHOWN.



**3** (H) x 2



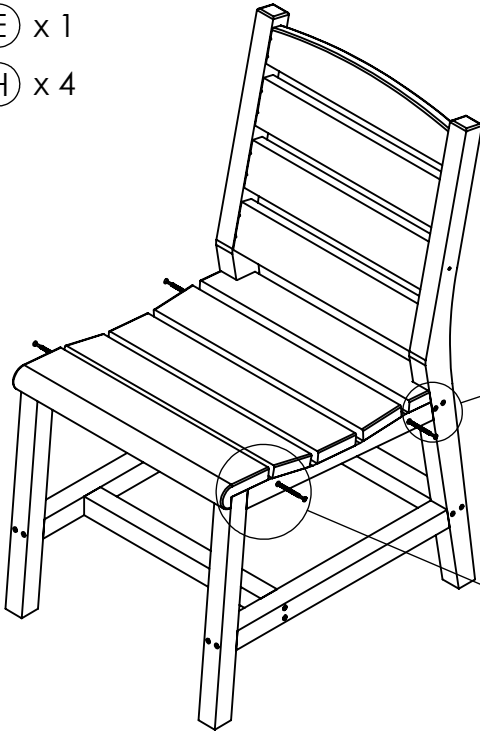
**4** (H) x 2



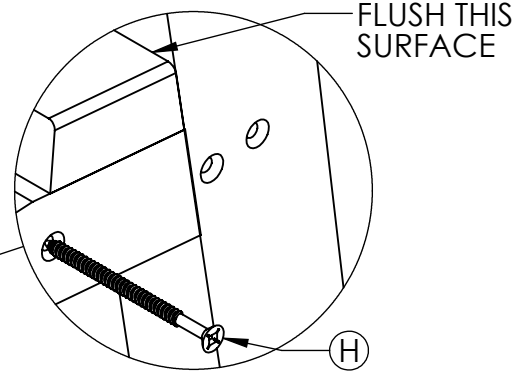
# 5

Ⓔ x 1

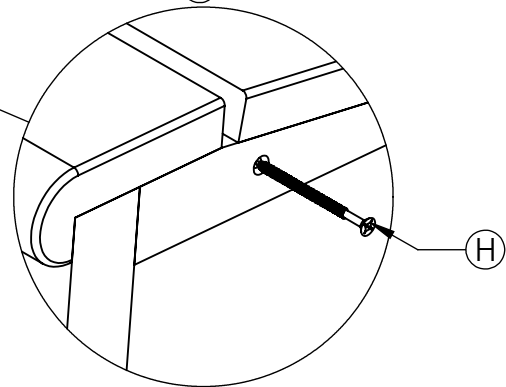
Ⓕ x 4



**STEP 5.1:** PUSH Ⓔ DOWN AND FASTEN Ⓕ



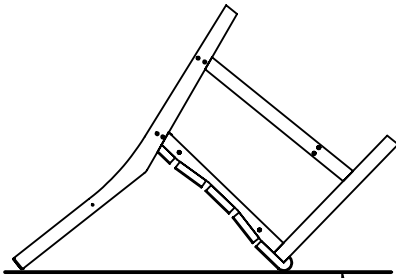
**STEP 5.2:** PUSH Ⓔ DOWN AND FASTEN Ⓕ



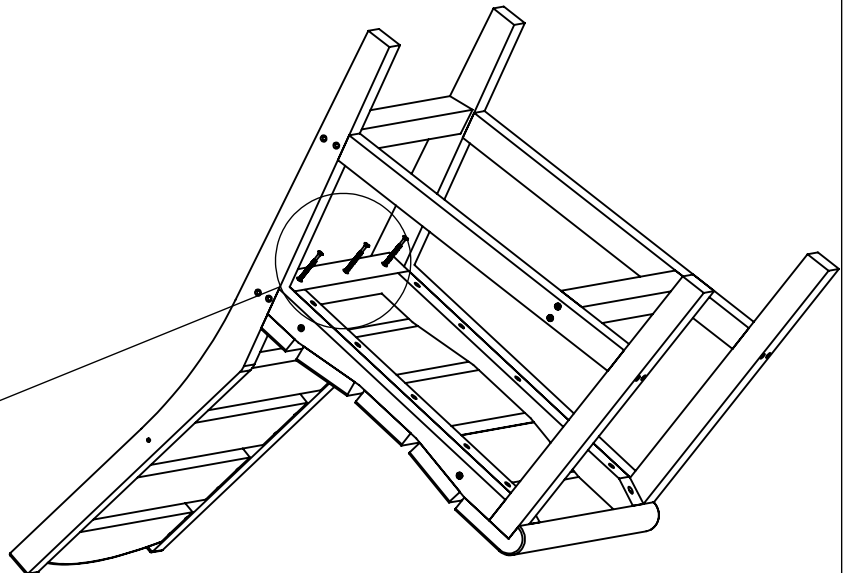
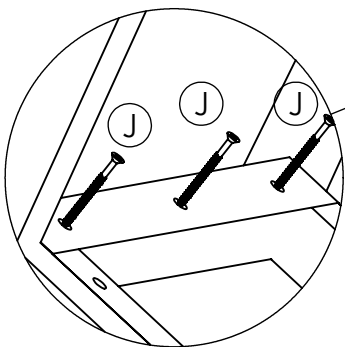
NOTE: REPEAT SAME FOR OTHER SIDE.

# 6

Ⓙ x 3



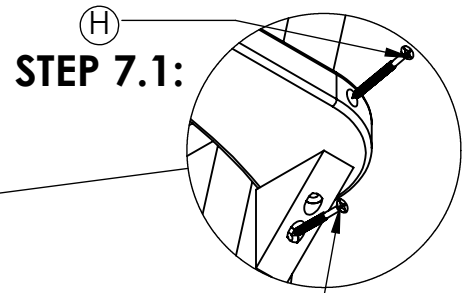
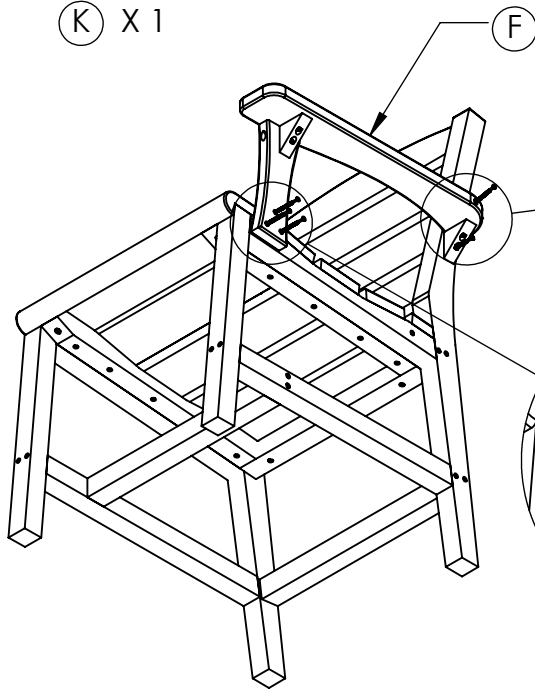
PLACE ON CLEAN/SMOOTH SURFACE TO AVOID SCRATCH



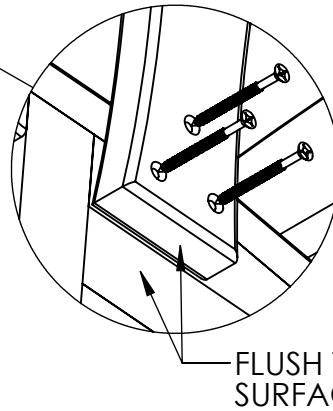
# 7

- (F) X 1
- (H) X 1
- (J) X 3
- (K) X 1

ALIGN (H) WITH PECK MARK ON THE SIDES OF (A) FOR ACCURATE ARM LOCATION.



**STEP 7.1:**



**STEP 7.2:**

**STEP 7.3:**

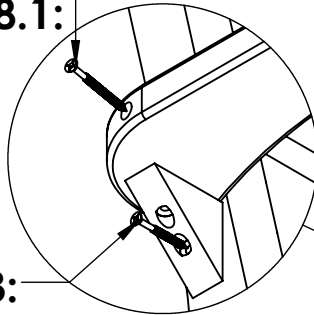


# 8

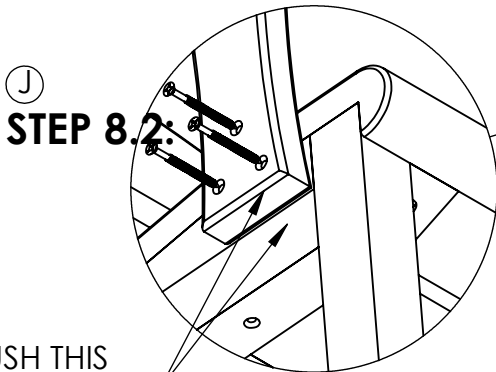
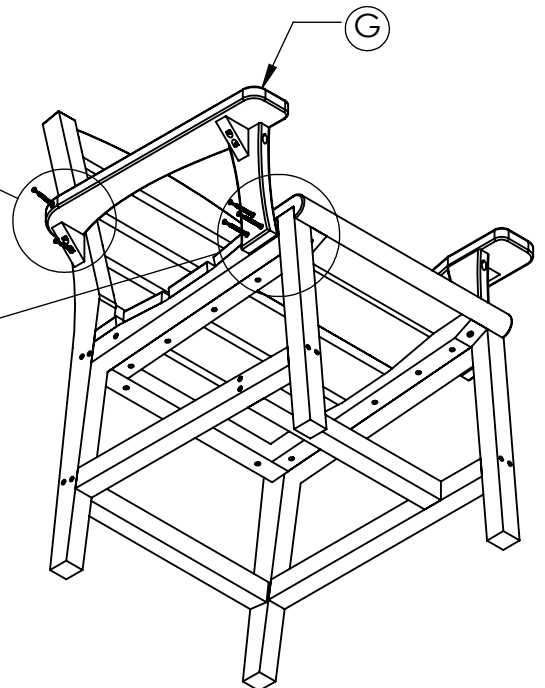
- (G) X 1
- (H) X 1
- (J) X 3
- (K) X 1

ALIGN (H) WITH PECK MARK ON THE SIDES OF (A) FOR ACCURATE ARM LOCATION.

**STEP 8.1:**



**STEP 8.3:**



**STEP 8.2:**

FLUSH THIS SURFACE

