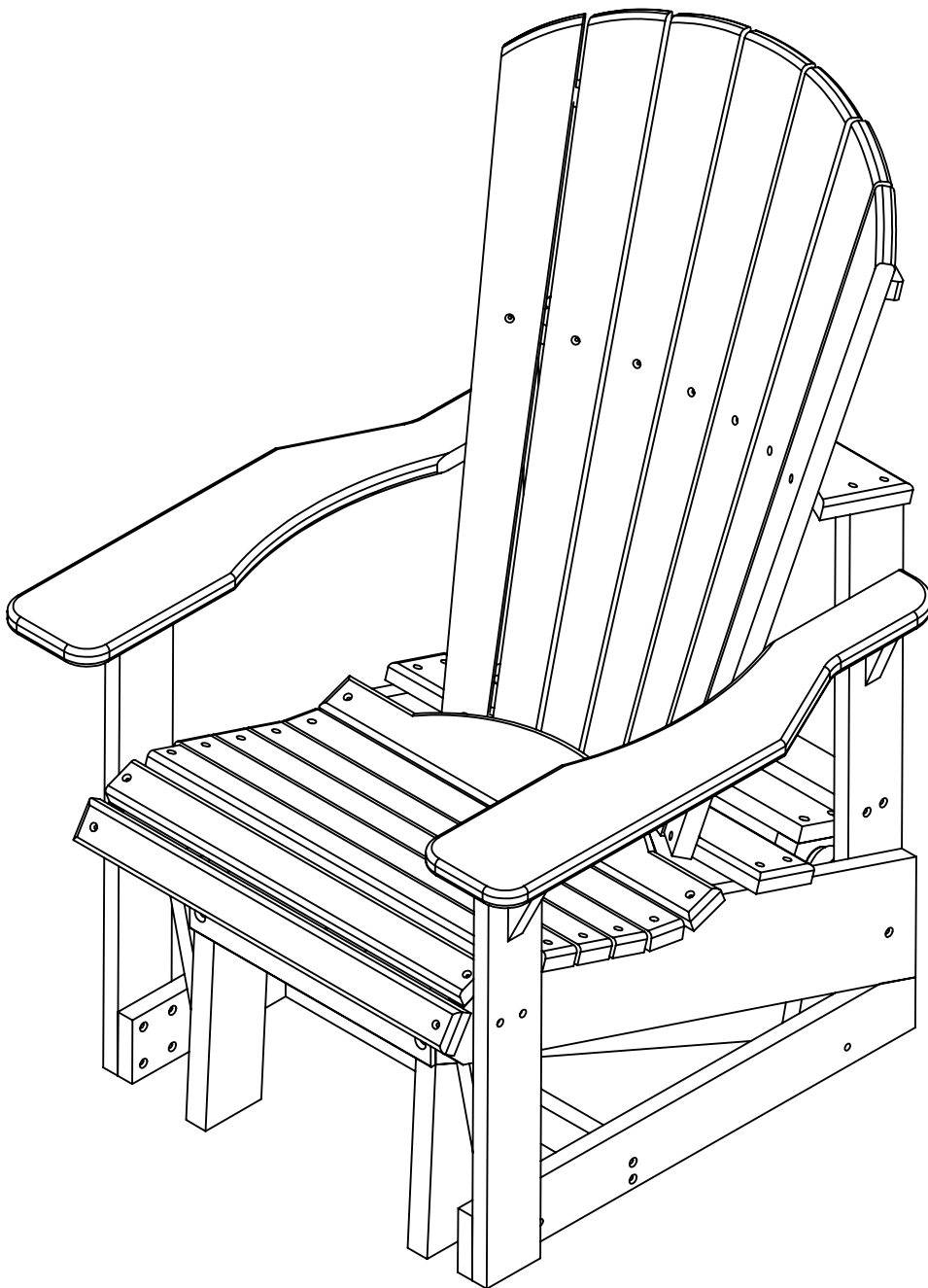


**C.R. PLASTIC  
PRODUCTS**

*we create* sustainable outdoor living

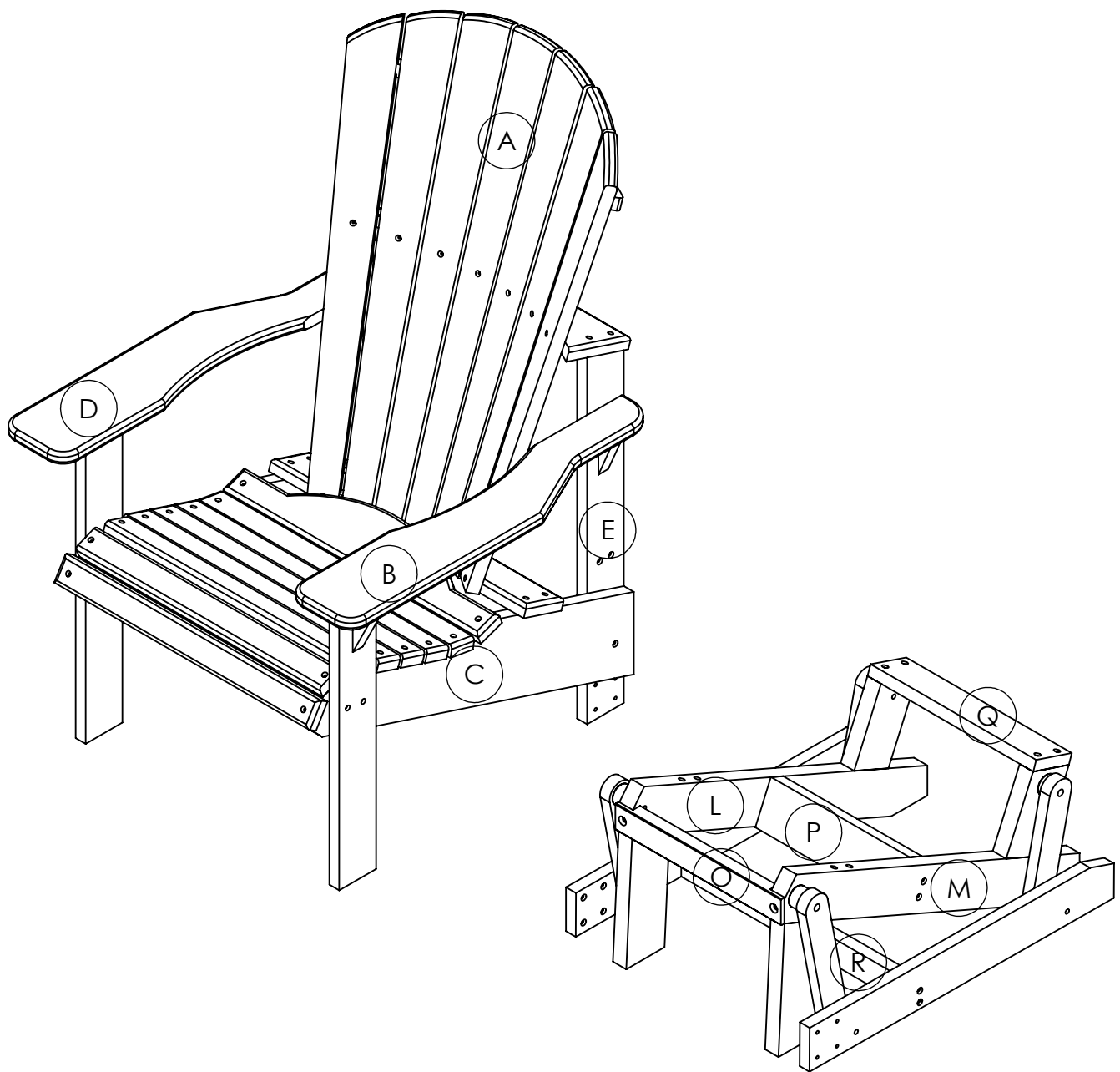
G01 - Single Glider



# C.R. PLASTIC PRODUCTS

*we create* sustainable outdoor living

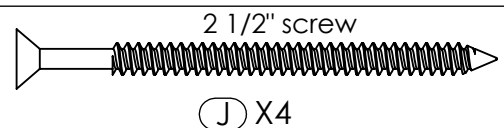
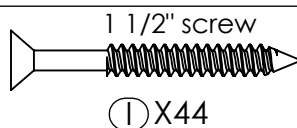
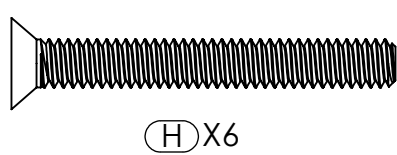
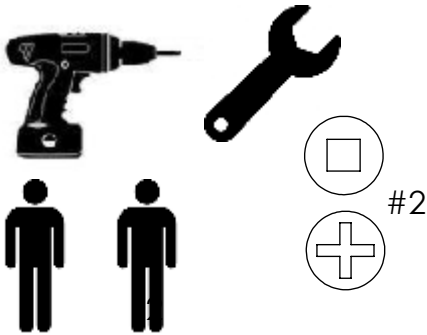
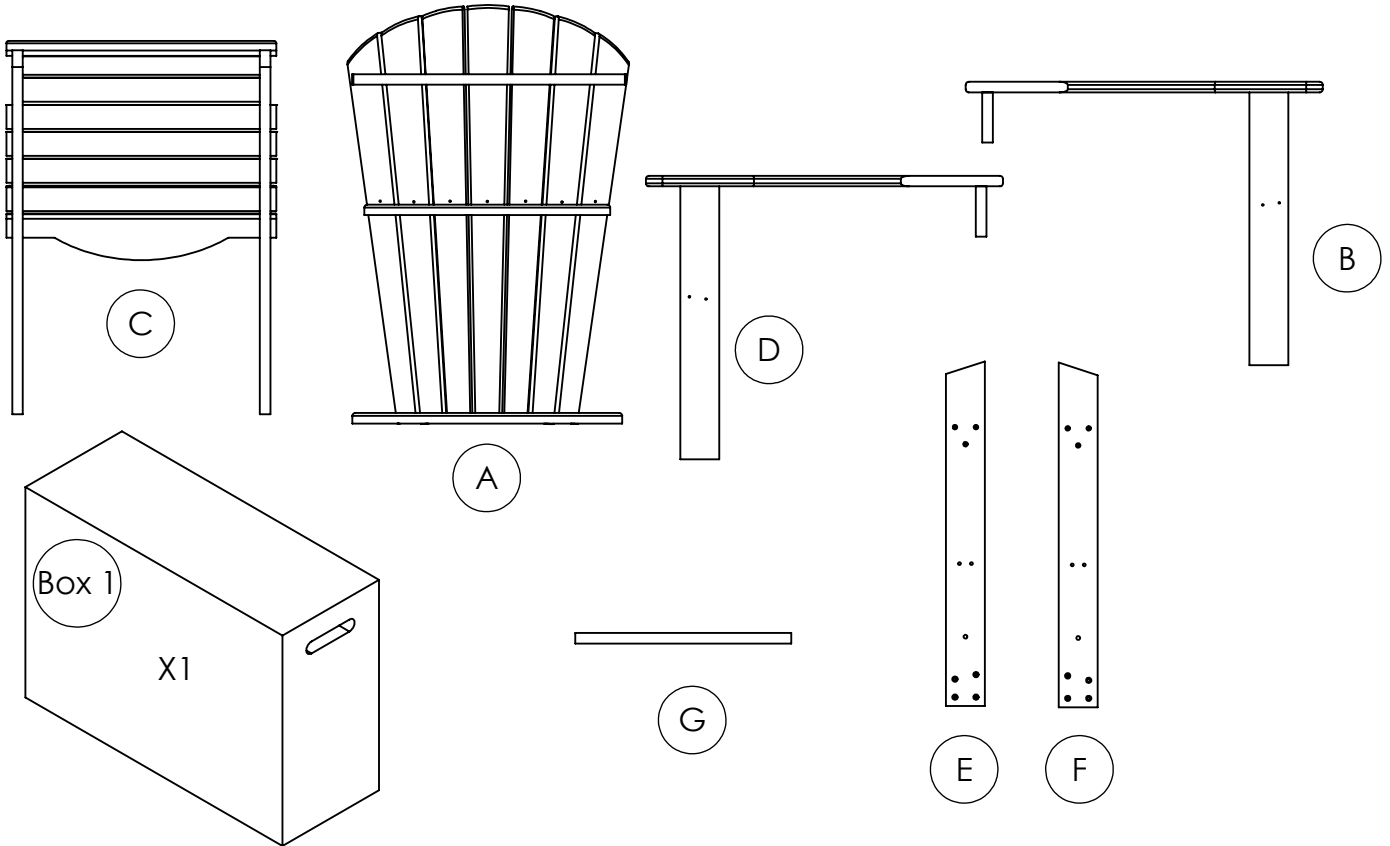
G01 - Single Glider





# C.R. PLASTIC PRODUCTS

*we create* sustainable outdoor living



800.490.1283

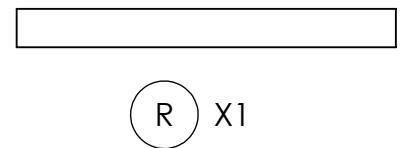
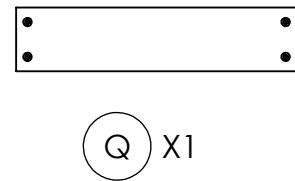
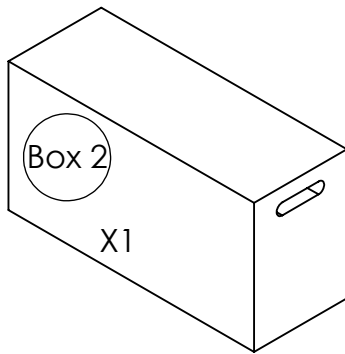
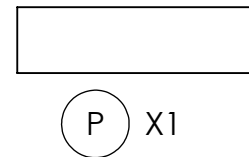
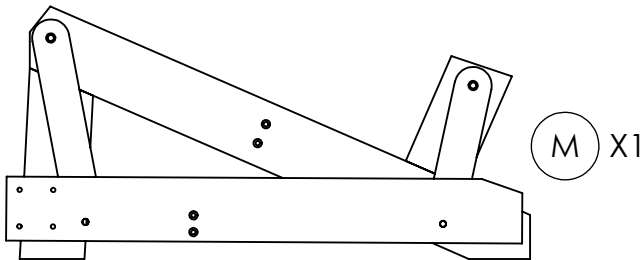
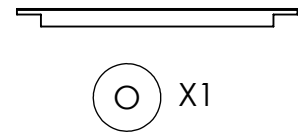
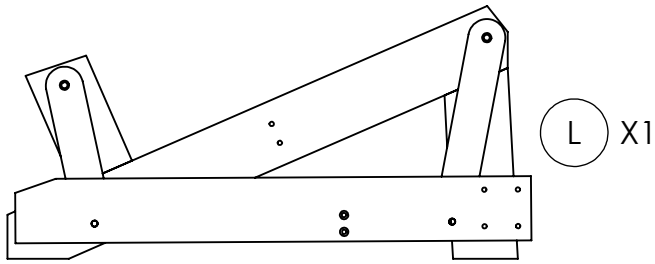


crpproducts.com

**FAX** 519.271.8544

# C.R. PLASTIC PRODUCTS

*we create* sustainable outdoor living



800.490.1283

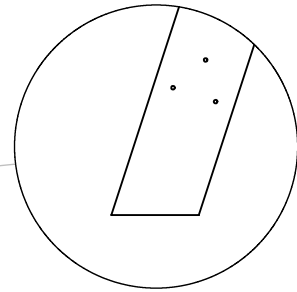
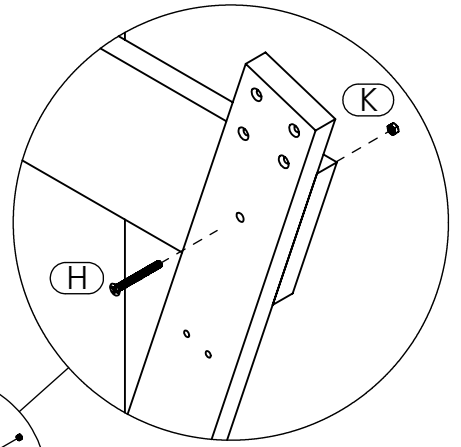
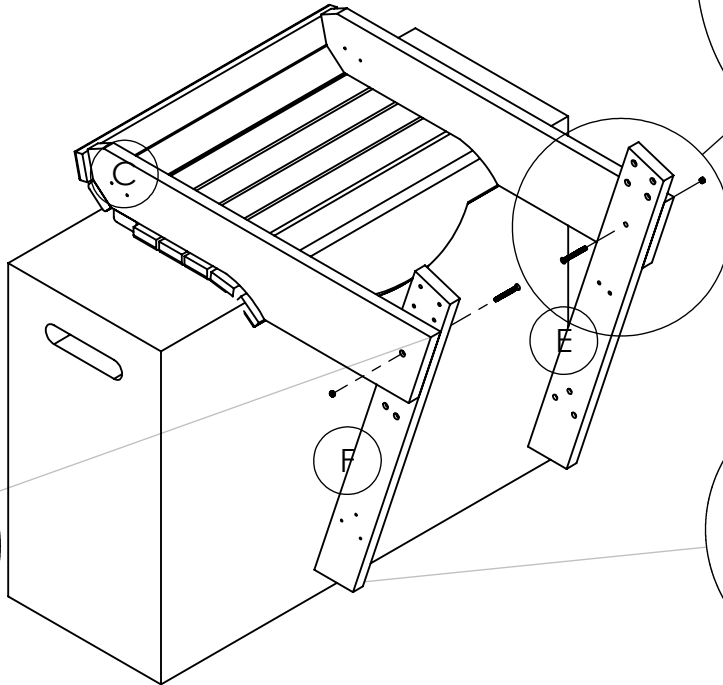
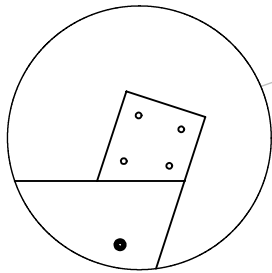


crpproducts.com

FAX 519.271.8544

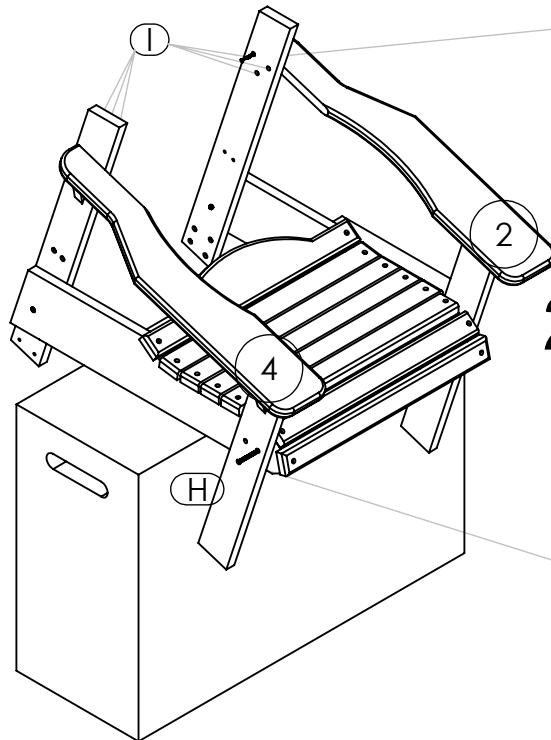
# 1

- (E) X1
- (F) X1
- (C) X1
- (H) X2
- (K) X2

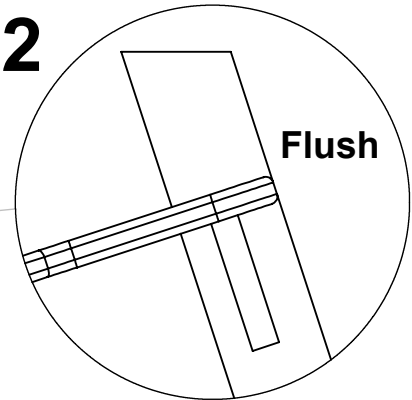


# 2

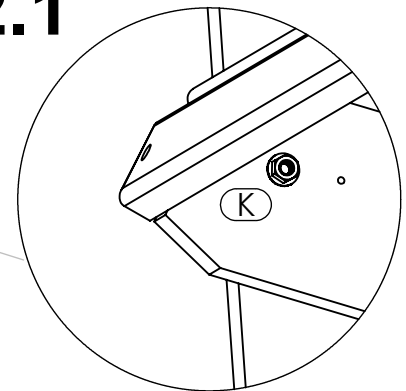
- (B) X1
- (D) X1
- (H) X4
- (K) X4
- (I) X6



## 2.2

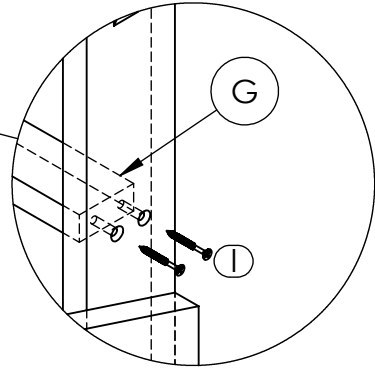
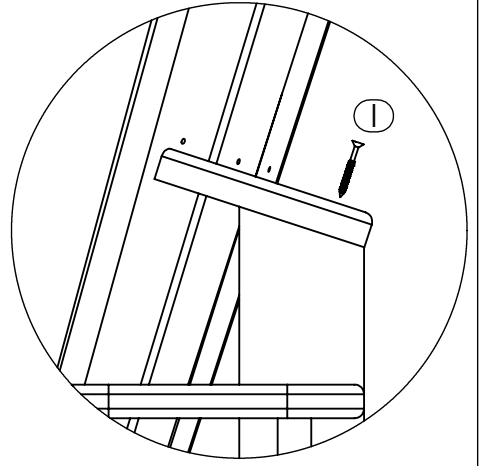
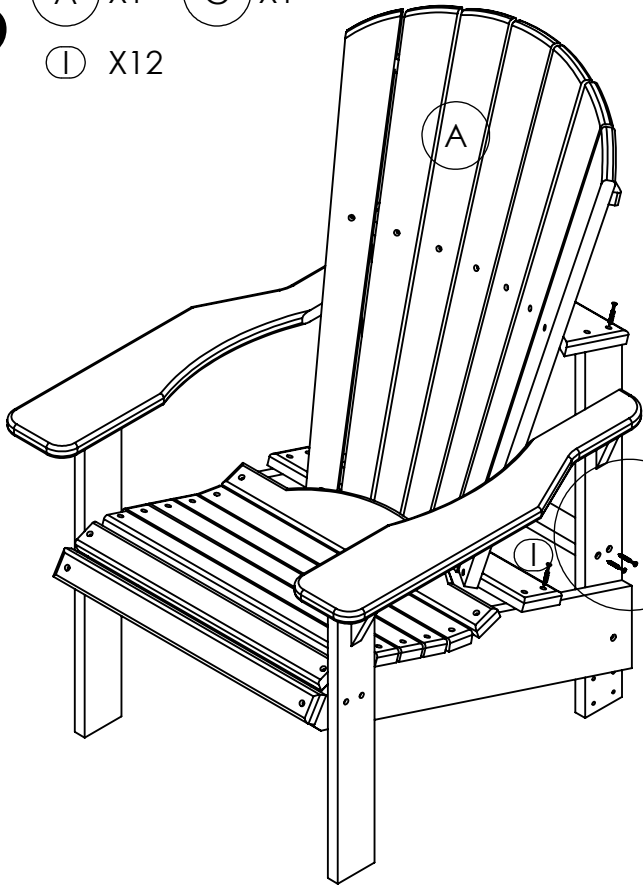


## 2.1



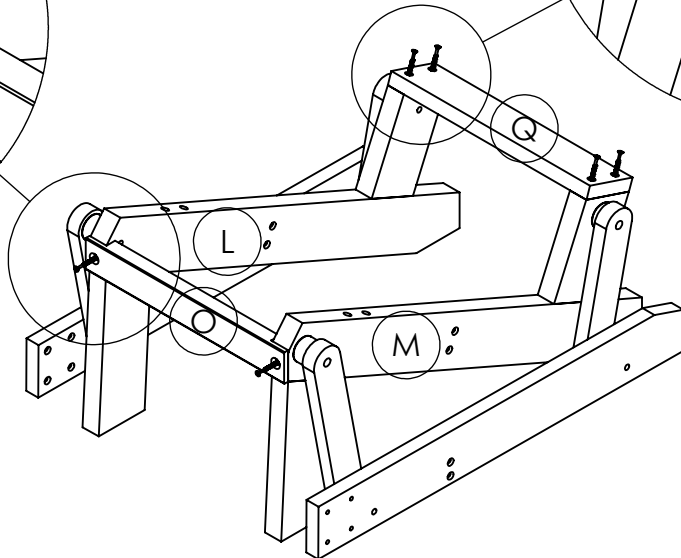
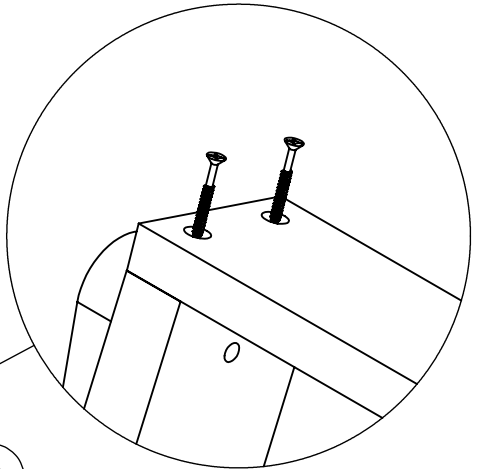
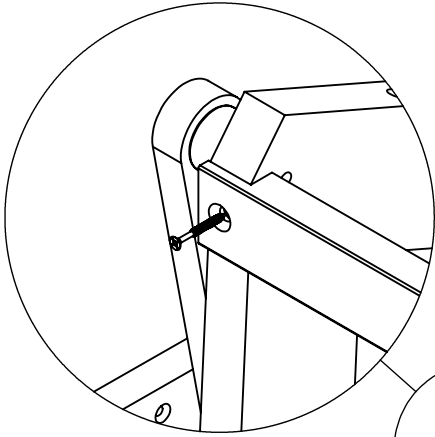
# 3

- (A) X1
- (G) X1
- (I) X12



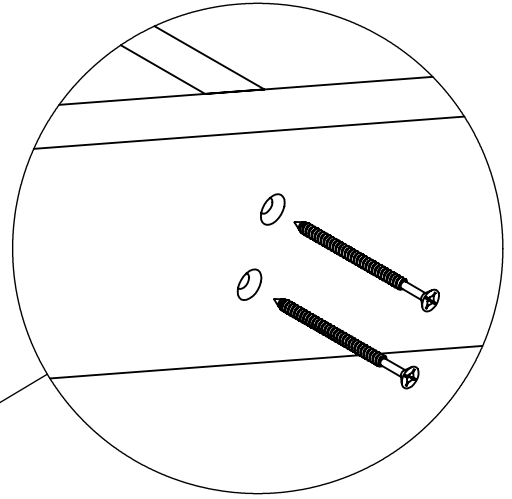
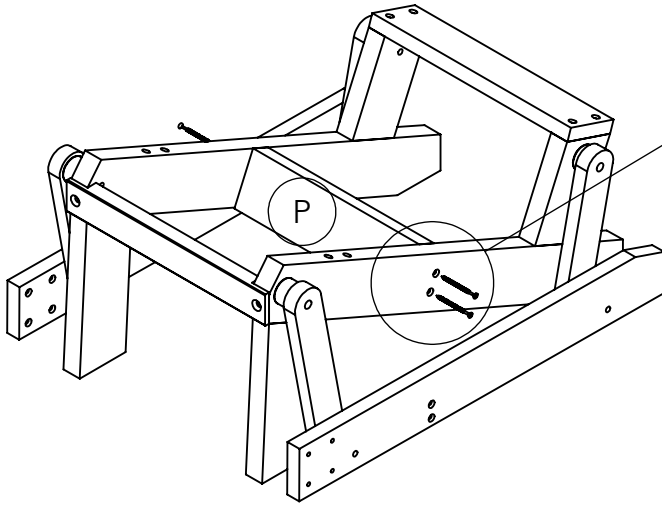
# 4

- (L) X1
- (O) X1
- (I) X6
- (M) X1
- (Q) X1



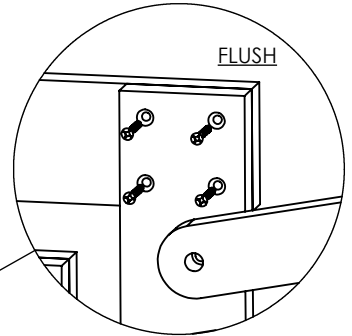
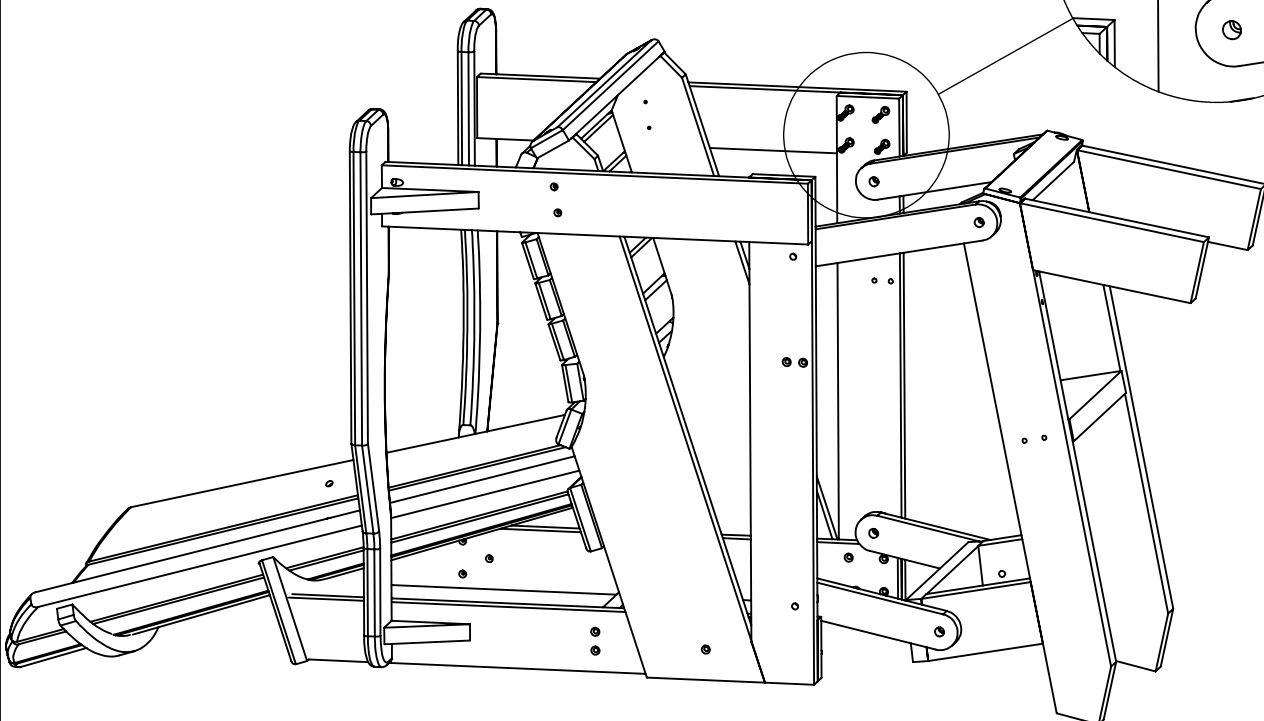
# 5

- Ⓟ X1
- Ⓝ X4

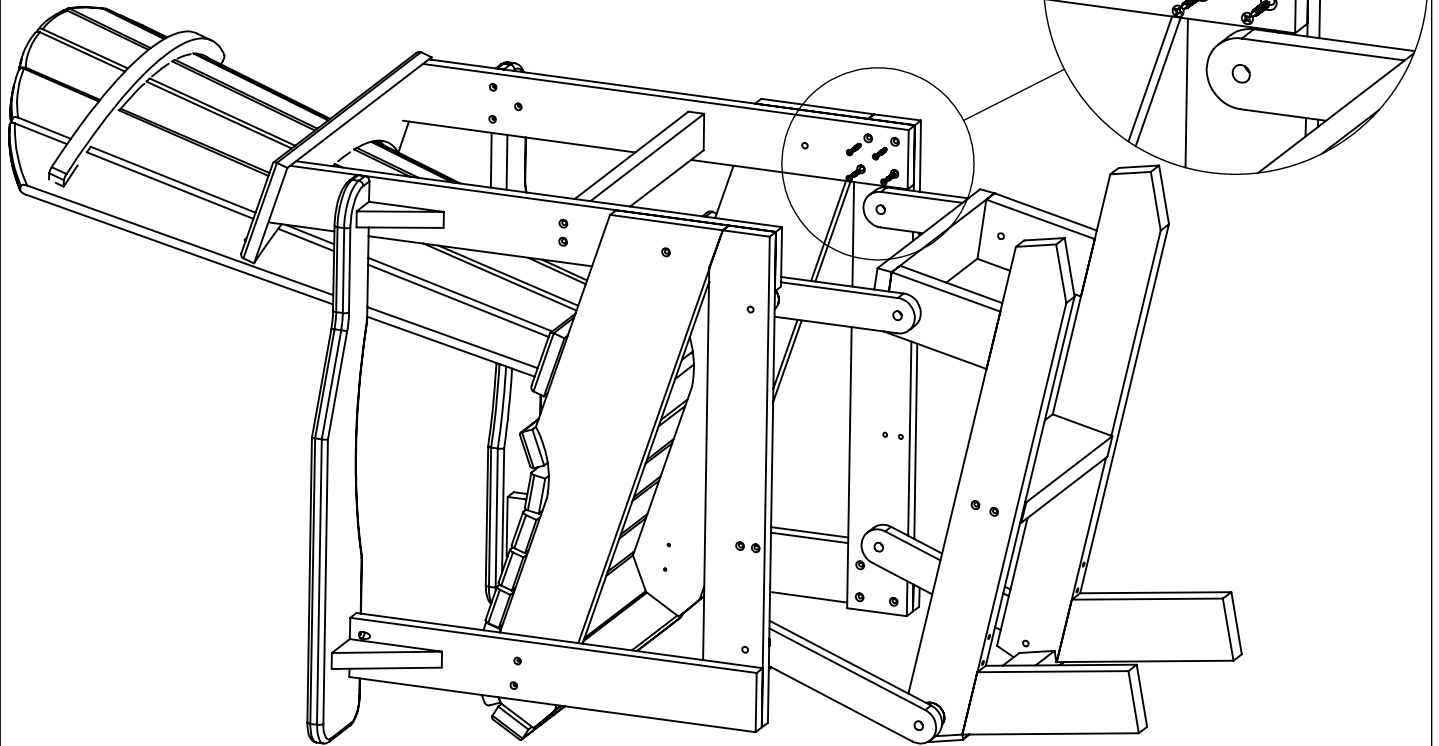


# 6

- Ⓛ X8



**7** ① X8



**8** (R) X1  
① X4

