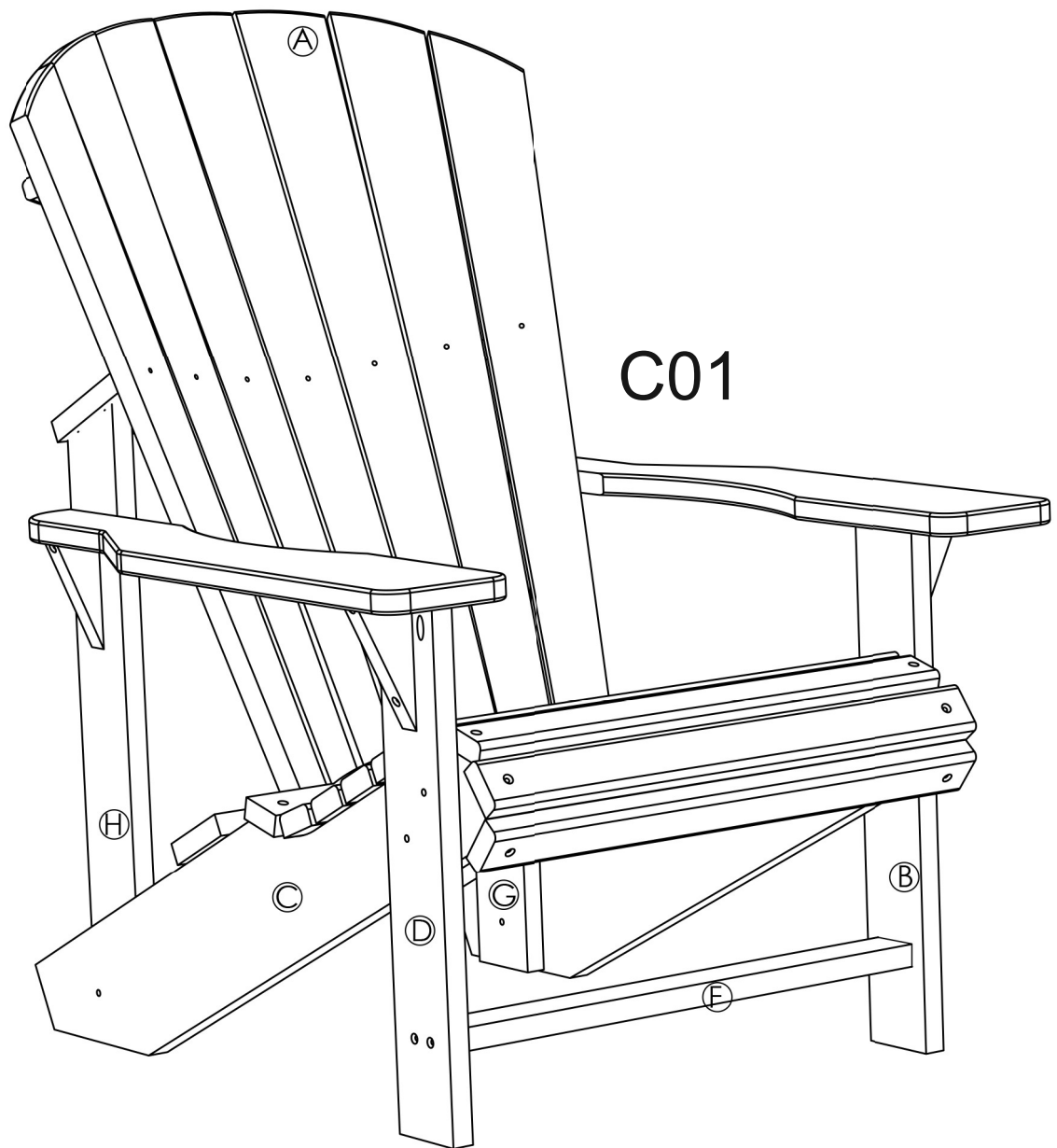


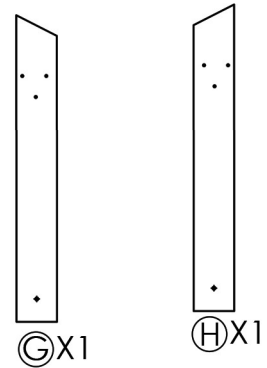
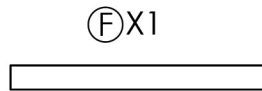
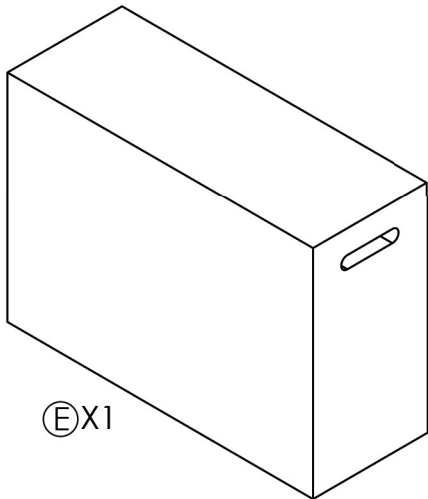
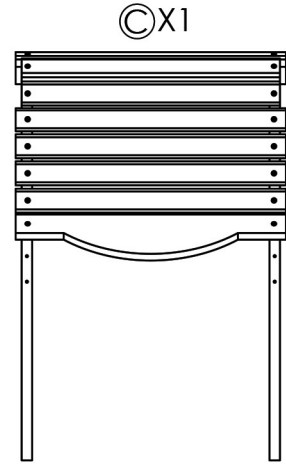
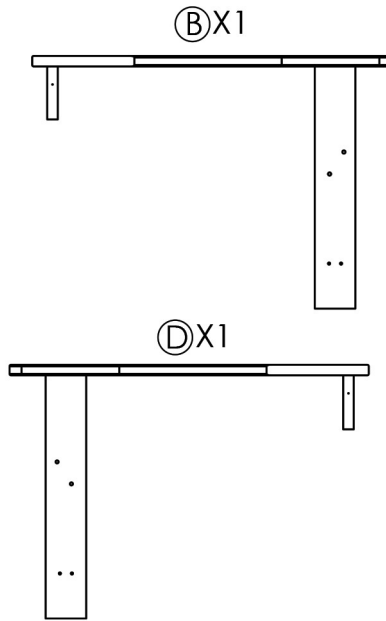
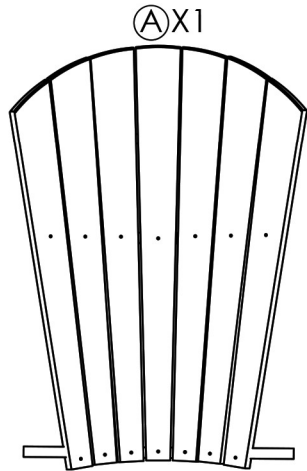
# ≡≡≡ C.R. PLASTIC ≡≡≡ ≡≡≡ PRODUCTS ≡≡≡

*we create* sustainable outdoor living



# C.R. PLASTIC PRODUCTS

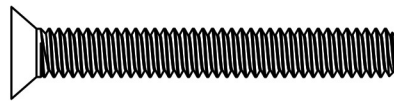
*we create* sustainable outdoor living



! PLEASE DO NOT OVER TIGHTEN SCREWS



#2



I X 6



J X 6



K X 24

1 1/2" SCREW



1-866-439-9521



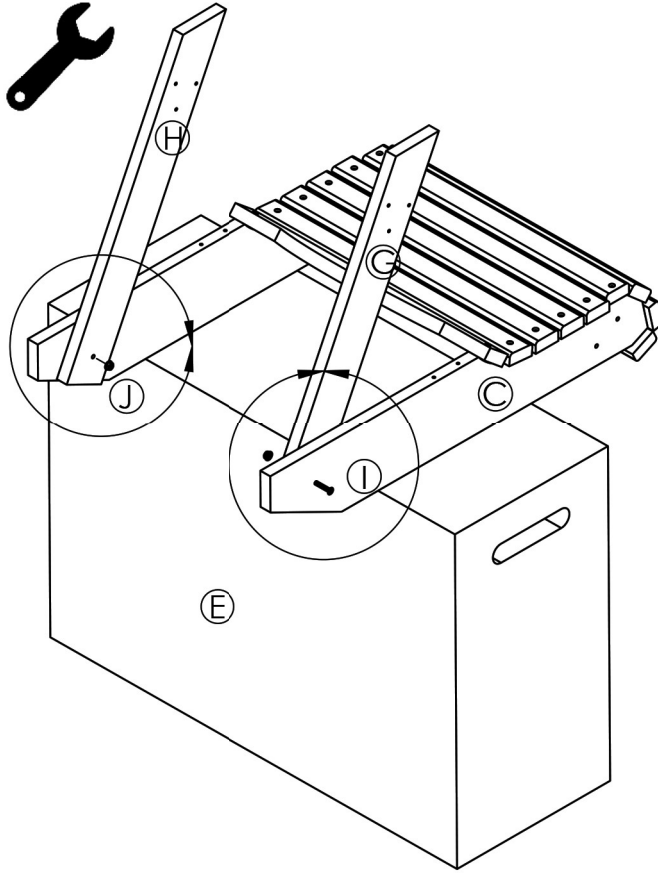
wecare@crplastics.com



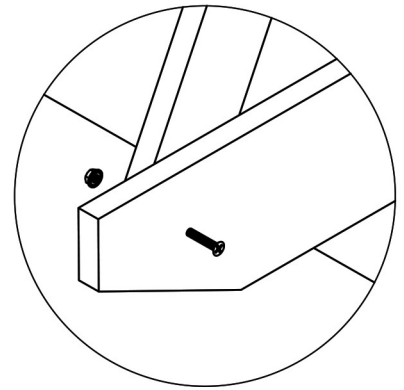
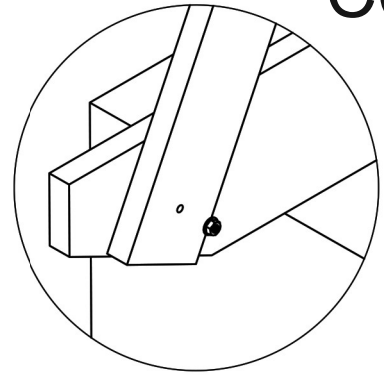
www.crpproducts.com

# 1

- ⓐX1
- ⓐX1
- ⓐX1
- ⓐX2
- ⓐX2
- ⓐX1

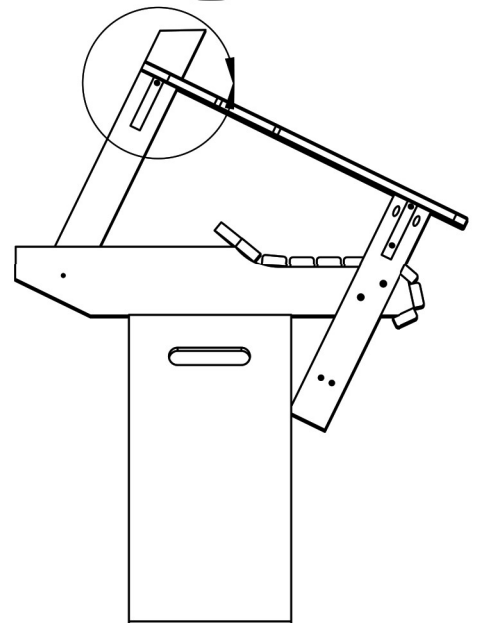
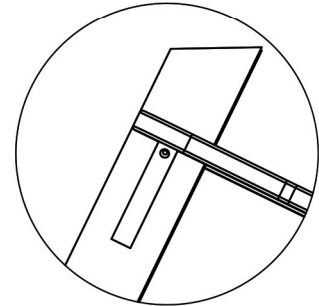
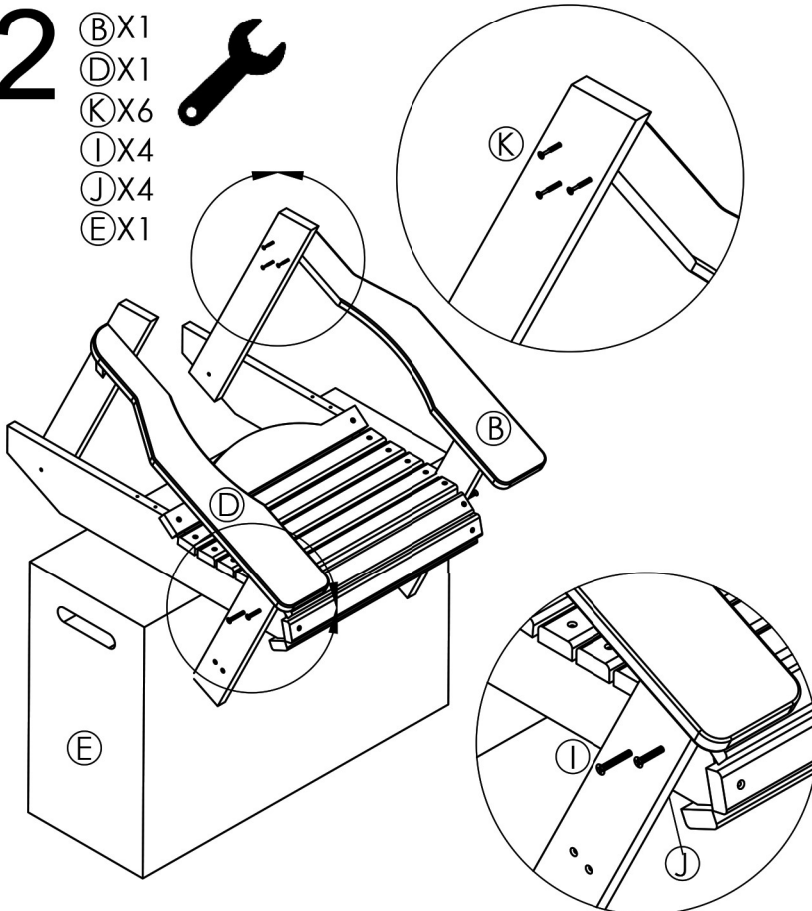


# C01



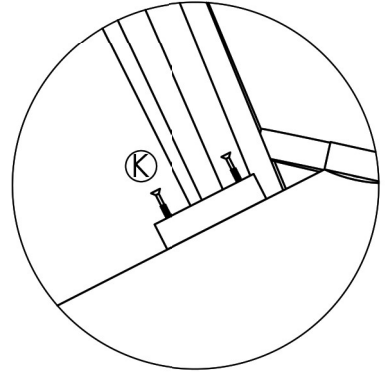
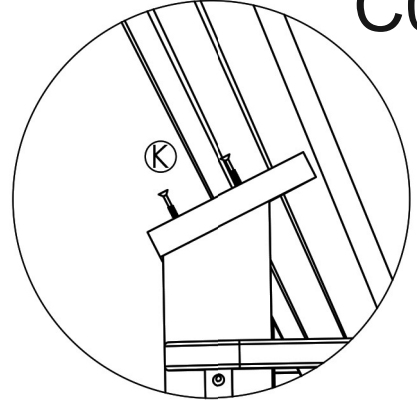
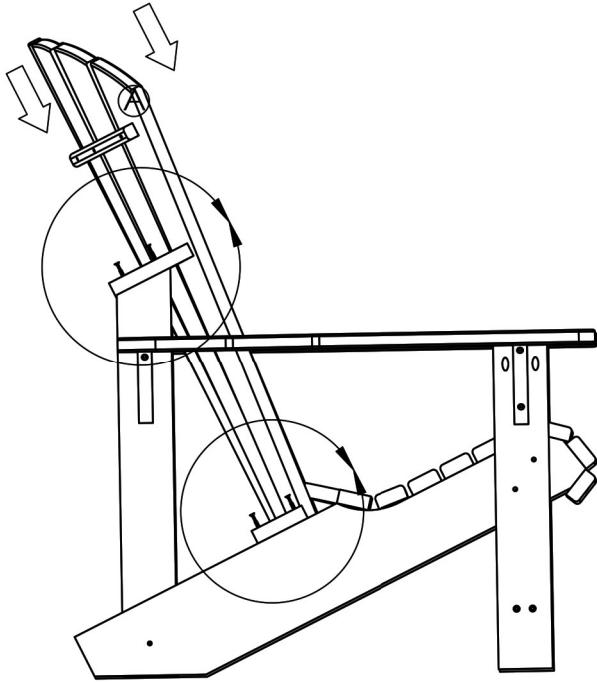
# 2

- ⓐX1
- ⓐX1
- ⓐX6
- ⓐX4
- ⓐX4
- ⓐX1



3  $\text{\textcircled{A}} \times 1$   
 $\text{\textcircled{K}} \times 8$

C01



4  $\text{\textcircled{F}} \times 1$   
 $\text{\textcircled{K}} \times 4$

