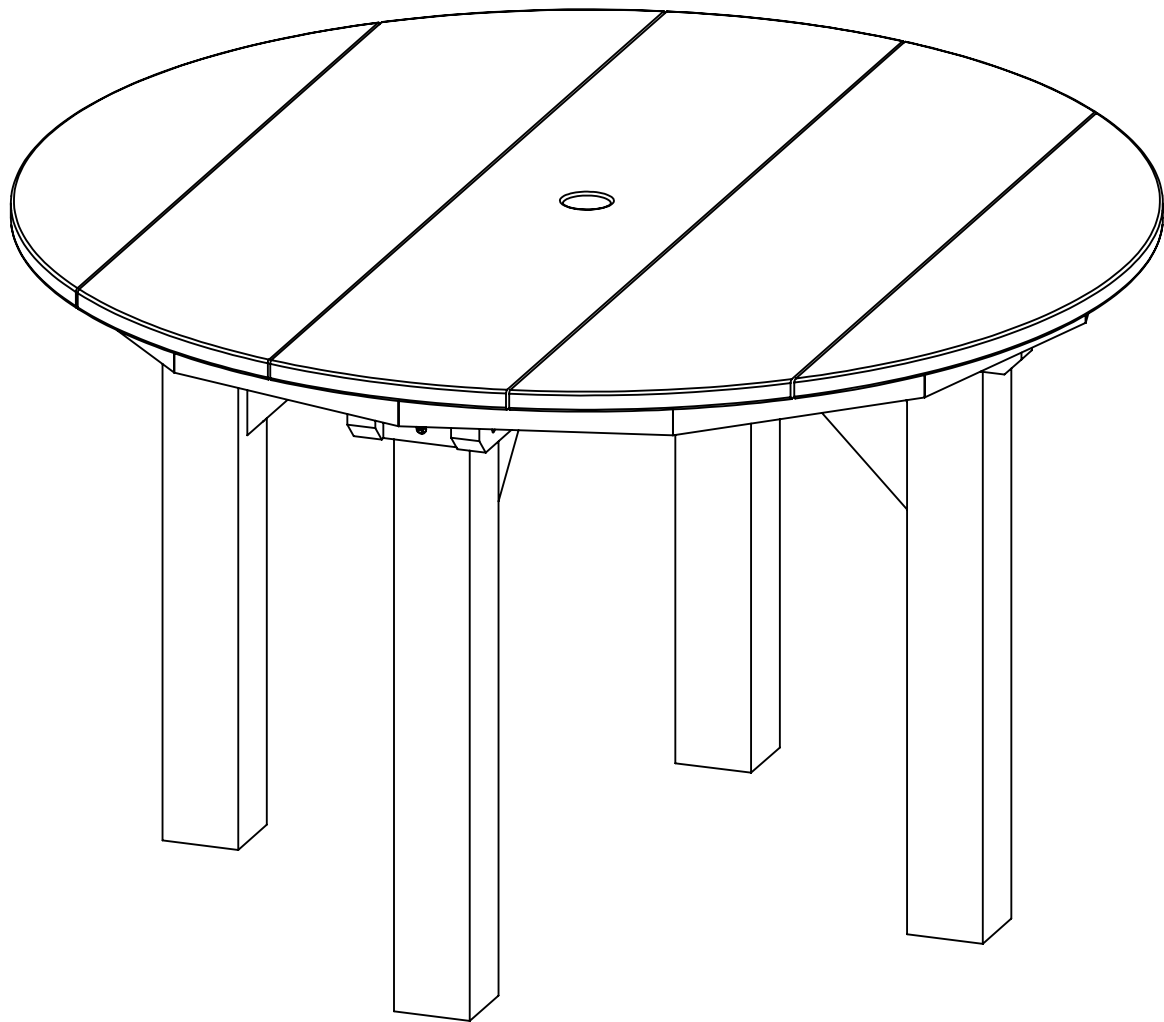




we create sustainable outdoor living

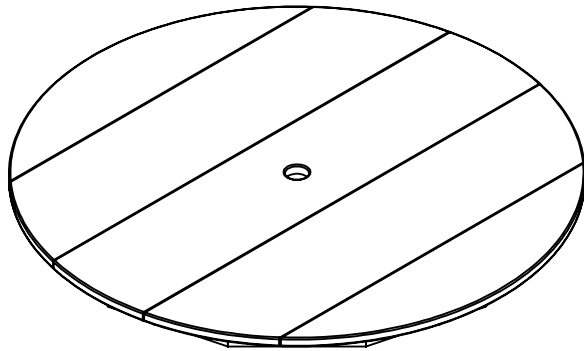
T05



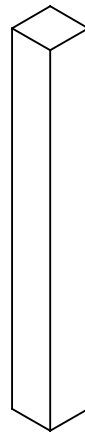
C.R. PLASTIC PRODUCTS

we create sustainable outdoor living

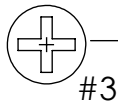
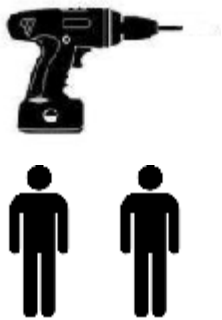
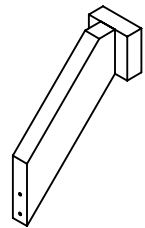
(A) x 1



(B) x 4



(C) x 4



#3



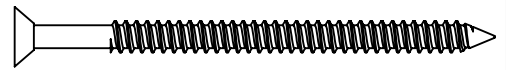
#2



(D) x 12 #12-2.50"/63.5 mm



(E) x 4 2.50"/63.5 mm



(F) x 16 2.00"/51 mm



(G) x 4 1.50"/38 mm



1-866-439-9521



wecare@crplastics.com



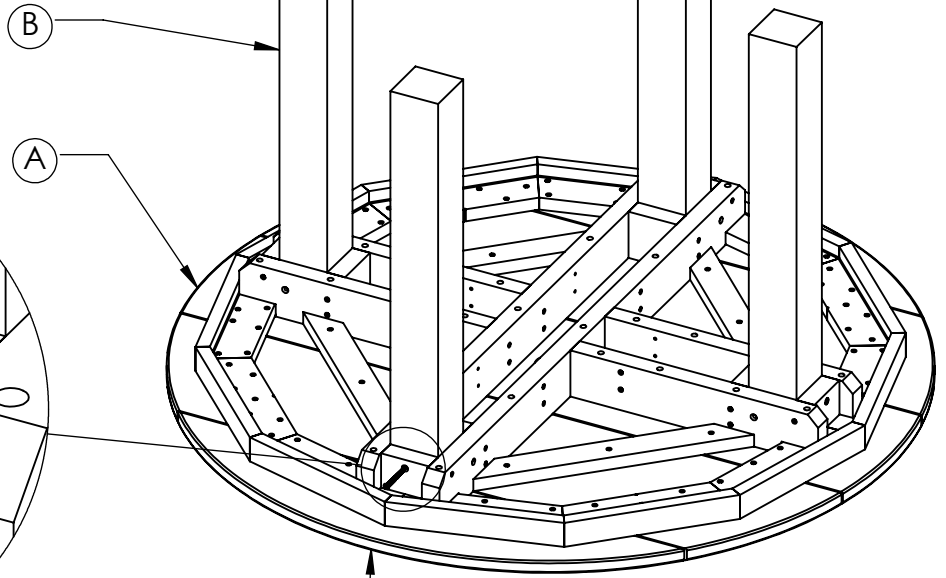
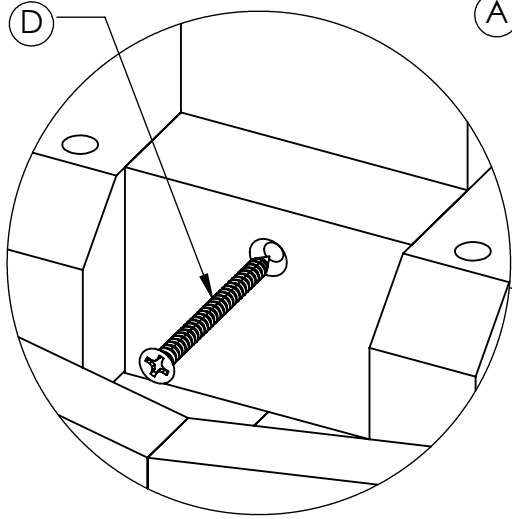
www.crpproducts.com

1

(A) x 1

(B) x 4

(D) x 4

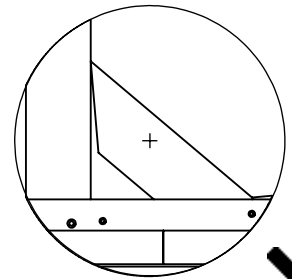
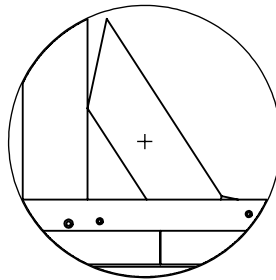


KEEP THE CARDBOARD SHEET ATTACHED TO AVOID SCRATCH

NOTE: REPEAT FOR OTHER SIMILAR PART

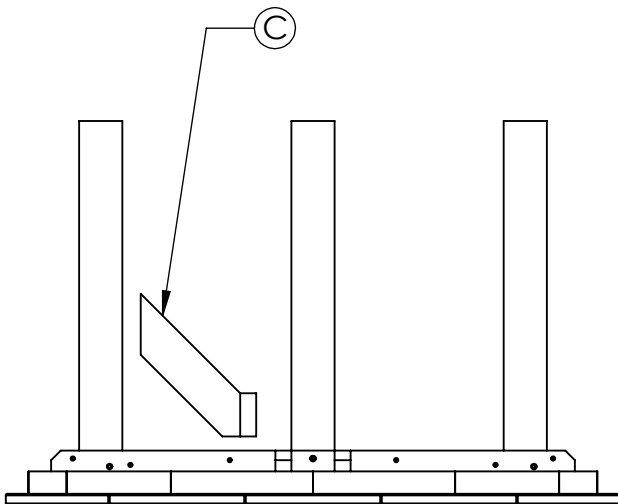
2

(C) x 1



X

X



FLUSH

FLUSH

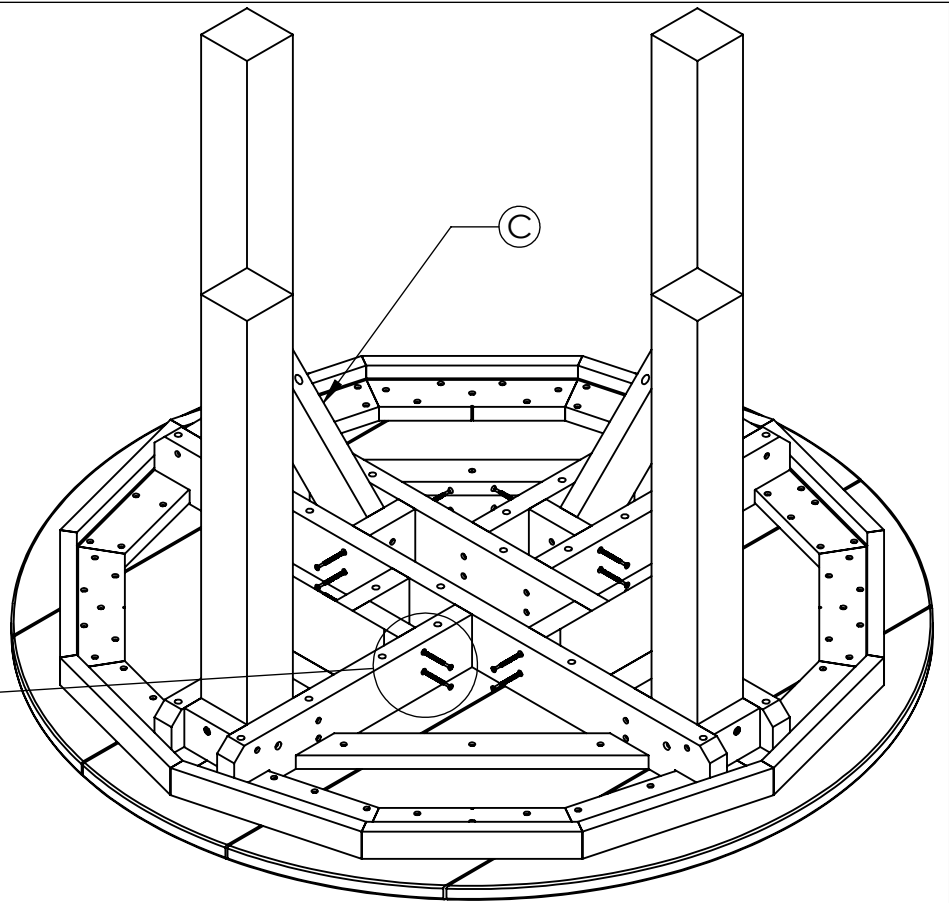
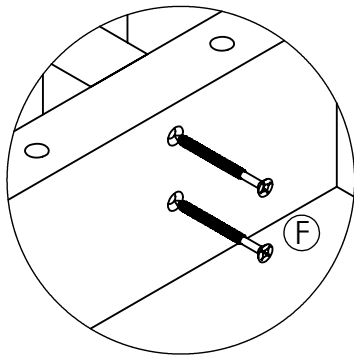
✓

3

ⓐ x 3

ⓕ x 16

NOTE: 2 SCREWS EACH SIDE

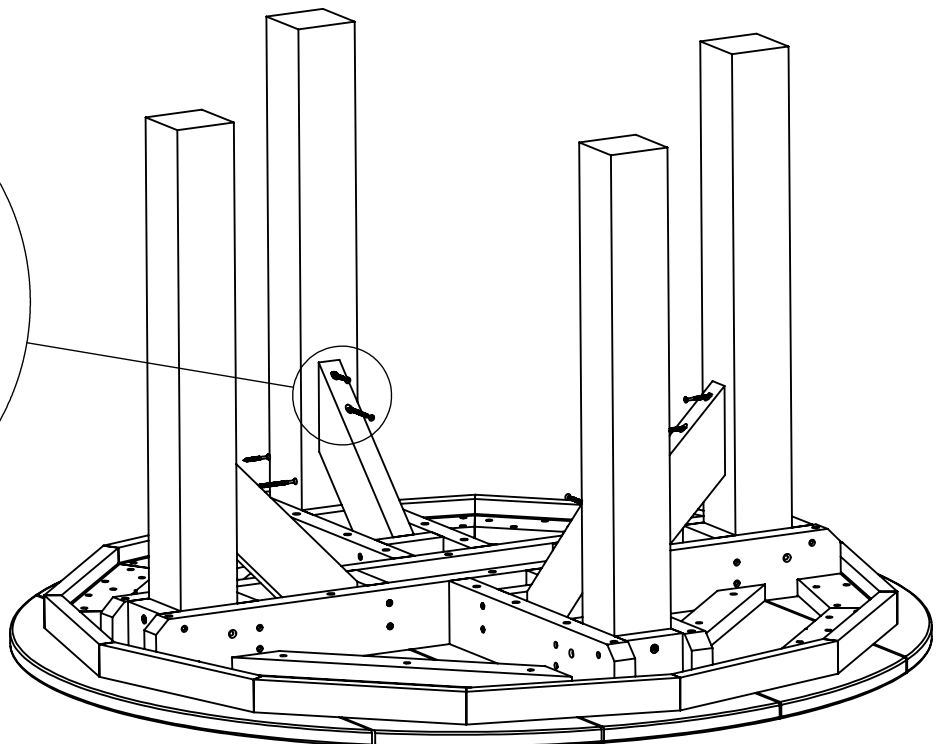
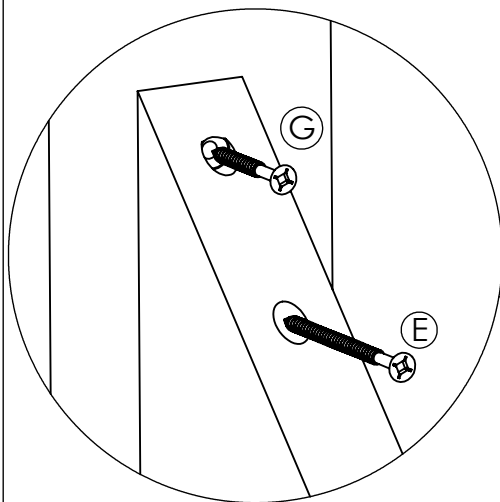


NOTE: REPEAT FOR OTHER SIMILAR PART

4

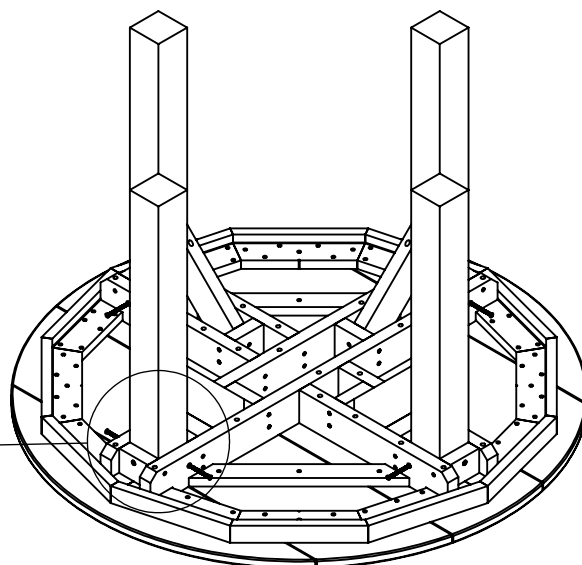
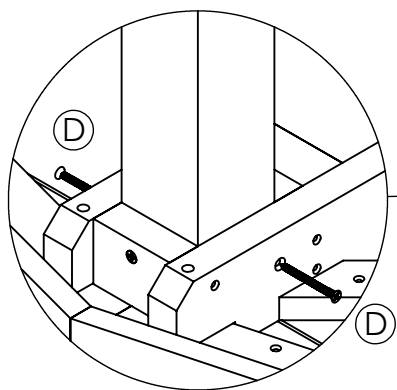
ⓖ x 4

ⓔ x 4



NOTE: REPEAT FOR OTHER SIMILAR PART

5 (D) x 8



NOTE: REPEAT FOR OTHER SIMILAR PART

